

Product Information Packet

November 9, 2016

Data shown is for the current revision model #. Ensure your nameplate model # matches.

Model Number:	5KS254XAE6727A
Catalog Number:	V784
Instruction Manual:	GEK-95351
Connection Diagram:	GEM2034E-FIG7
Outline Drawing:	4002B5825PPP5310

Accessory Connection Diagrams			
Bearing Thermocouple:	None	Heater:	None
RTD:	None	Thermistor:	None
Thermostat:	None	Winding Thermocouple:	None
Bearing RTD:	None		

Table of Contents

Specification	01
Performance Characteristics	02
Outline Drawing	03
Connection Drawing(s)	04
Spare parts	05



Marks:

MODEL NUMBER:	5KS254XAE6727A	Estimated Weight:	315 Lbs
Outline Drawing:	4002B5825PPP5310	Time Rating:	CONT
Connection Diagram:	GEM2034E-FIG7	Enclosure:	TEFC
Instruction Book:	GEK-95351	Encl Construction:	841
Design Code:	25BD1162A	Ambient Max(°C):	40
Type:	KS	Alt Ambient Max(°C):	--
Frame:	L254LP10	Insulation Class:	H
Phases:	3	NEMA Design:	B
Poles:	4	Nominal Efficiency:	92.4 %
Output Power:	15HP 11.1KW	Guaranteed Efficiency:	91.0
RPM:	1775	3/4 Load Efficiency:	92.7
Voltage:	460	KVA Code:	G
Hertz:	60	Max KVAR:	6.1
Amps - FL:	18.9	Power Factor:	80.5
Service Factor:	1.15	Bearing - DE:	5211
Alt Service Factor:	--	Bearing - ODE:	6309-2ZC3

Enclosure is Totally Enclosed Fan-Cooled

Stamped Nameplate Notes:

VERTICAL-841
 PREMIUM EFFICIENT MOTOR
 DE BRG 5211 ODE BRG 45BC03JP3
 INLINE MOTOR
 EXCEPTION TO IEEE-STD-841-2009:THRUST BRG ON DE
 INVERTER DUTY PER NEMA MG1 PART 31
 ALTERNATE RATING FOR PWM CONTROL:
 1.0 SF VAR TORQUE RANGE 0-60 HZ
 MAX EXPOSED INTERNAL AND EXTERNAL SURFACE
 TEMPERATURES UNDER USUAL SERVICE CONDITIONS
 AT 1.00 S.F. DO NOT EXCEED 200 DEG C
 STAMP NP249A5499AP AS BELOW:
 MODEL:5KS254XAE6727A S/N: XXX
 EX NA IIC T3 GC CSA.09.2216219
 CLASS I, ZONE 2, AEX NA IIC T3
 CLASS I, DIV 2, GROUPS A, B, C, D T3
 -25C <= TAMB <= 40C

Additional Information:

4P - LP EXTN
 C/BOX 137 CU IN-1.25 NPT
 PAINTED FRAME ID & SHAFT,
 FAN COVER INSIDE & ODE E/S OUTSIDE
 ROUTINE AND 5 POINT VIBRATION TESTS INCL IN C/BOX
 INPRO SEAL BOTH ENDS
 E/SHLD GROUND STUD MTD ON DE C/BOX SIDE
 SHAFT RUNOUT LIMIT .001" TIR

RCF 5000 CPM, STATIC DEFLECTION .0014 INCHES &
CENTER OF GRAVITY 10.75 INCHES
SOLID SHAFT INLINE
COPPER WASHER UNDER HEADS OF BEARING CAP BOLTS
APPLY TITE-SEAL (A50CD427A) ON BEARING CAP SCREWS, RABBETS,
AND PLUG THREADS
OIL RESISTANT SLEEVING ON LEADS
BEARING LIFE 26280 HOURS AT 780 LB THRUST
UTD REPLACEMENT FOR 5KS254XAE6727

Performance Characteristics

1st Winding 1st Connection

Design: 25BD1162A

Marks:

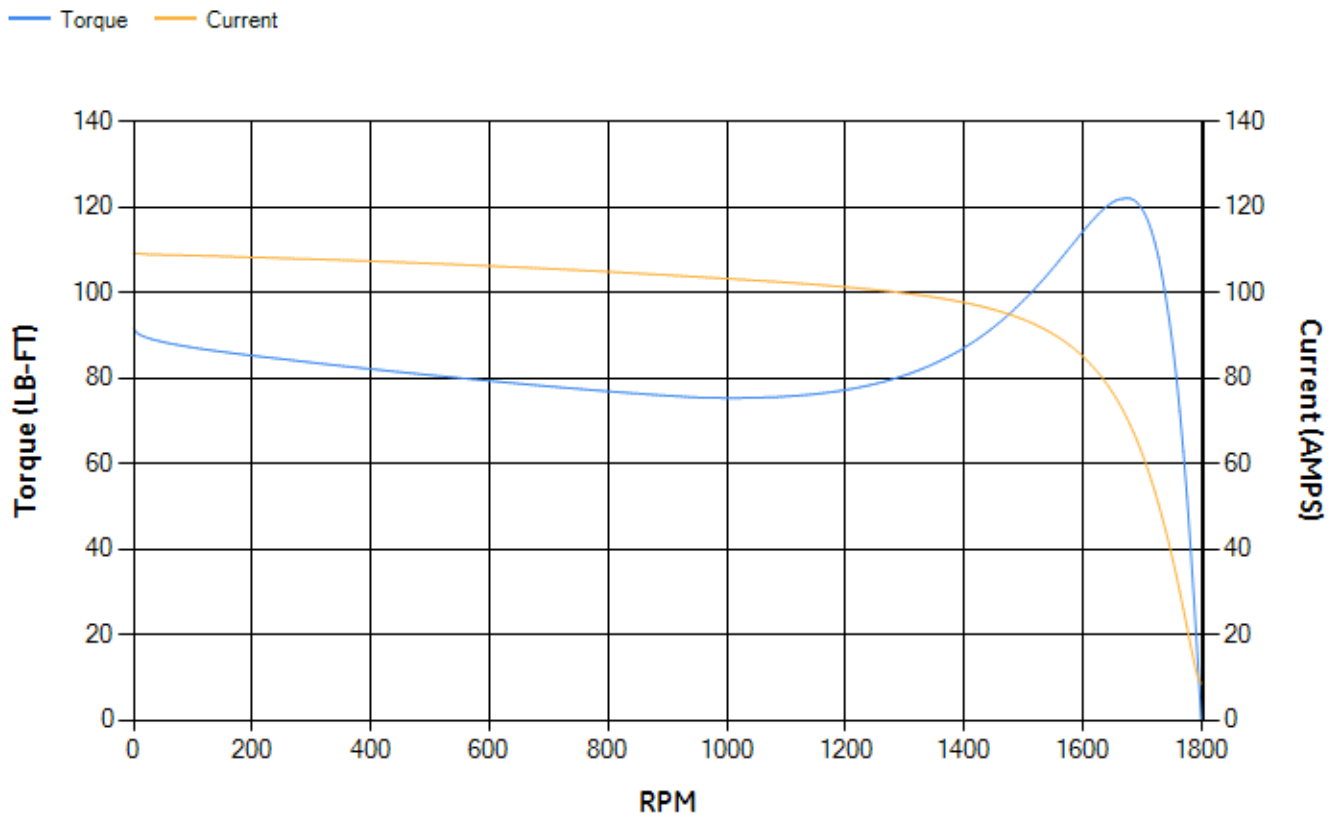
LOAD %	125.0	115.0	100.0	75.0	50.0	25.0	0.0
% EFF	91.42	91.81	92.48	92.69	92.17	88.49	0.00
% PF	83.38	82.57	80.73	75.15	63.81	41.38	4.49
AMPS	23.02	21.3	18.8	15.12	11.93	9.58	8.54

TORQ(FL)#FT	44.38	TORQ(LR)%FL	206.21	TORQ(BD)%FL	273.89
AMPS(LR)	109.14	PF AT START	0.46		

This motor is capable of two cold or one hot start with a maximum connected load inertia of 457 Lb-Ft Sq (19.24 Kg-meter Sq)at 100% voltage, where the load torque varies with the square of the speed. Acceleration time with maximum inertia and the above load type is 38 seconds. Safe stall time at 100% voltage is 85 seconds cold, 54 seconds hot. Rotor inertia is 1.99 Lb-Ft Sq (0.08 Kg-meter Sq).

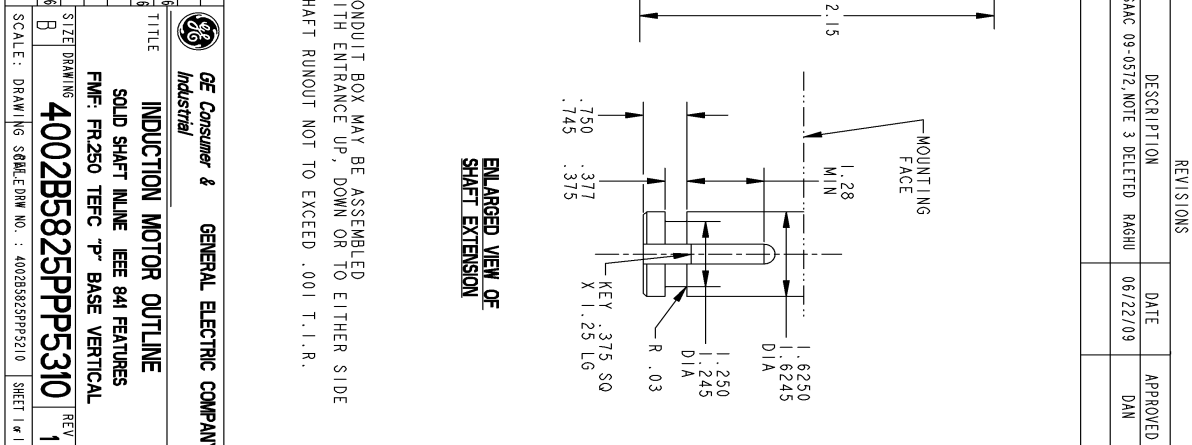
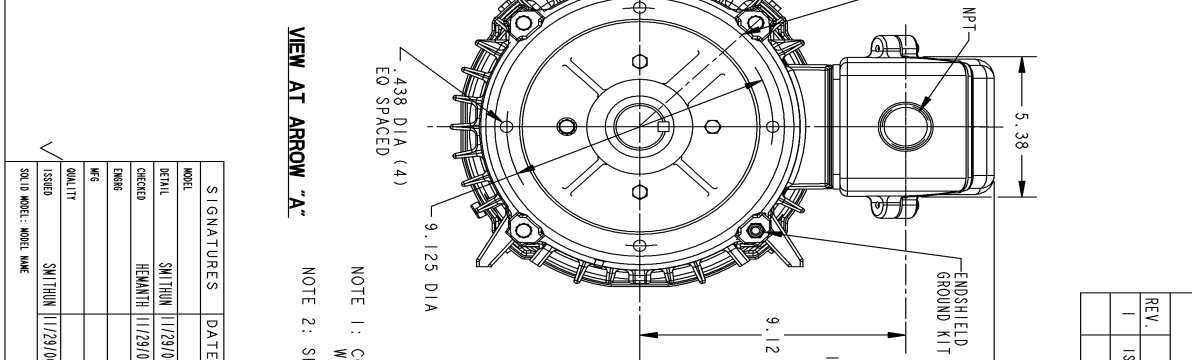
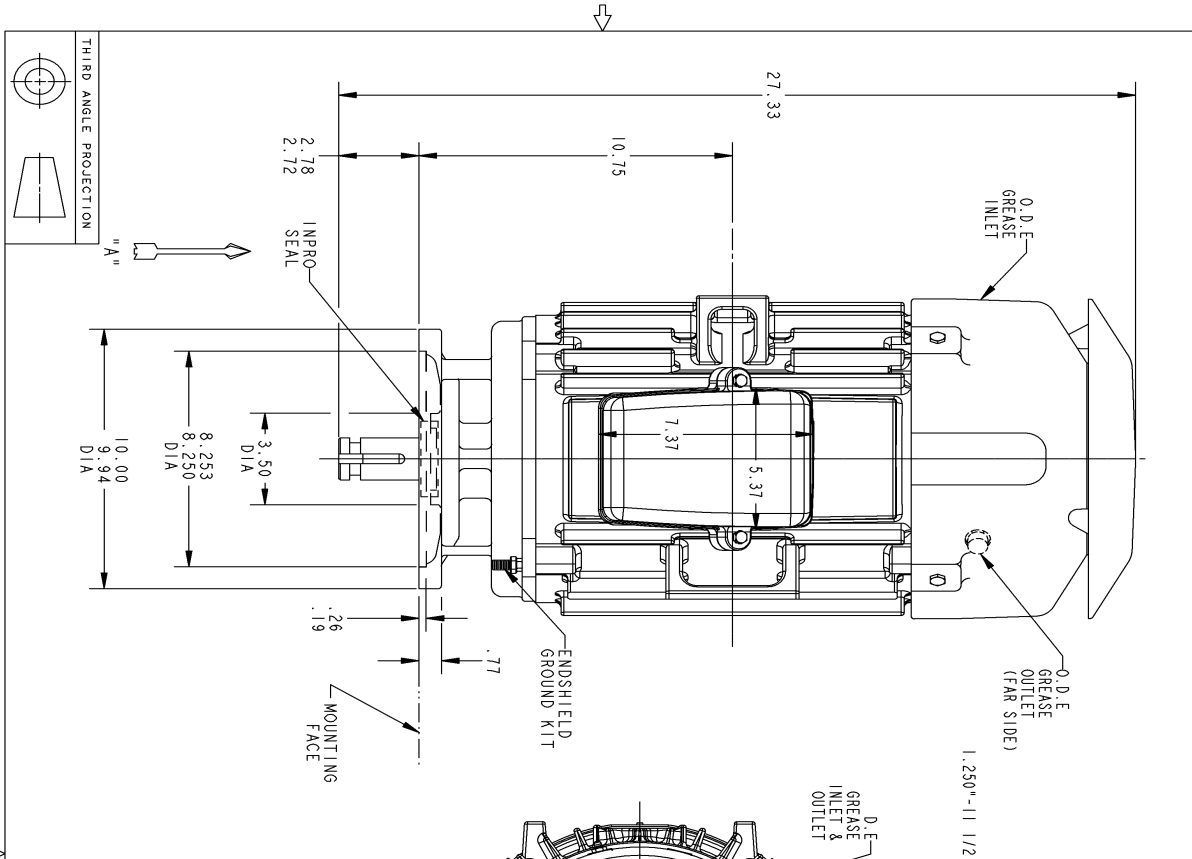
Open Circuit A-C:	0.386	Short Circuit D-C:	0.012
Short Circuit A-C:	0.023	X/R Ratio:	4.434
Stator Slots:	48	Rotor Slots:	40

Speed Torque Current Curve (First Connection, First Speed)



NAME:320002276 OBJECT:4002B5825PPP5310 DATE:22-Jun-09 19:40:35

Marks:



VIEW AT ARROW "A"

NOTE 1: CONDUIT BOX MAY BE ASSEMBLED WITH ENTRANCE UP, DOWN OR TO EITHER SIDE
 NOTE 2: SHAFT RUNOUT NOT TO EXCEED .001 T. I. R.

SIZE DRAWING NO. 4002B5825PPP5310 REV 1 SHEET 1 OF 0

REV.	DESCRIPTION	DATE	APPROVED
1	ISAAC 09-05172, NOTE 3 DELETED RAGHU	06/22/09	DAN

SIGNATURES	DATE	GE Consumer & Industrial GENERAL ELECTRIC COMPANY
MODEL		
DESIGNER		
ENGINEER		
ISSUED		
TITLE INDUCTION MOTOR OUTLINE SOLID SHAFT INLINE IEEE 841 FEATURES FNF: FR250 TERC 1" BASE VERTICAL		
SCALE: DRAWING	SCALE: DRAWING	
SIZE DRAWING	SIZE DRAWING	
QUALITY	QUALITY	
REV 1	REV 1	

Marks:

Connection Diagram
GEM2034E-FIG7



End shield Assembly		
Part Description	DE Side Part#	ODE Side Part#
End Shield	128D6129PS1	4004D5283SK1
Bearing		
Slinger/Inproseal		

Fan & Fan Cover Assembly	
Part Description	Part#
Fan	159C6700G02
Fan Cover	

Conduit & Accessories Box Assembly	
Part Description	Part#
Conduit Box	4002B5728PA-G04

Mechanical Accessories	
Part Description	Part#
Brake	
Tachometer	