

Product Information Packet

May 6, 2017

Data shown is for the current revision model #. Ensure your nameplate model # matches.

Model Number:	5KS326DAJ5008B
Catalog Number:	V4211
Instruction Manual:	GEK-95353
Connection Diagram:	GEM2034E-FIG24
Outline Drawing:	148CB32VMHKBCAA0001

Accessory Connection Diagrams			
Bearing Thermocouple:	None	Heater:	3027JE-1C
RTD:	None	Thermistor:	None
Thermostat:	None	Winding Thermocouple:	None
Bearing RTD:	None		

Table of Contents

Specification	01
Performance Characteristics	02
Outline Drawing	03
Connection Drawing(s)	04
Spare parts	05



Marks:

MODEL NUMBER:	5KS326DAJ5008B	Estimated Weight:	690 Lbs
Outline Drawing:	148CB32VMHKBCAA0001	Time Rating:	CONT
Connection Diagram:	GEM2034E-FIG24	Enclosure:	WPI
Instruction Book:	GEK-95353	Encl Construction:	OPEN
Design Code:	32BD0147AA	Ambient Max(°C):	40
Type:	KS	Alt Ambient Max(°C):	--
Frame:	L326TP16	Insulation Class:	H
Phases:	3	NEMA Design:	B
Poles:	2	Nominal Efficiency:	93.6 %
Output Power:	60HP 44.4KW	Guaranteed Efficiency:	92.4
RPM:	3565	3/4 Load Efficiency:	--
Voltage:	460	KVA Code:	G
Hertz:	60	Max KVAR:	18.3
Amps - FL:	71.1	Power Factor:	85.5
Service Factor:	1.15	Bearing - DE:	6212C3
Alt Service Factor:	--	Bearing - ODE:	235A2523AD01

Enclosure is Weather Protected One

Stamped Nameplate Notes:

HTR LDS HE1-HE2 115V 100W
 ROT CCW FACING ODE LEAD/PH SEQ 1-2-3/1-2-3
 INVERTER DUTY PER NEMA MG1 PART 31
 ALTERNATE RATING FOR PWM CONTROL:1.0SF 40C AMBIENT
 VAR TORQUE RANGE 2.5-60 HZ
 UPPER BRG LUBE OIL: 2.1 QTS
 0 DEG C TO 40 DEG C : ISO 32(MINERAL OR SYNTHETIC)
 -15 DEG C TO 0 DEG C : ISO 32 SYNTHETIC
 SUITABLE FOR 50 HP, 380V, 50 HZ WITH
 70.8 AMPS AND 2960 RPM AT 1.0 SF

Additional Information:

2P, VERT HOLLOW SHAFT HIGH THRUST (1D)
 SPECIAL BALANCE
 346 CU IN - 3.00" NPT
 OIL RESISTANT SLEEVING ON LEADS
 115V HTR LDS TO MAIN CONDUIT BOX
 COUPLING NOT INCLUDED IN BOM, WILL BE
 ORDERED SEPERATELY
 BEARING LIFE 8760 HRS AT 5273 LB THRUST
 PART WINDING START
 CG:13.86 IN FROM P-BASE FACE,STAT DEF:0.0022 IN
 RCF:3840 CPM AT C/BOX SIDE, 4020 CPM AT
 90 DEG FROM C/ BOX SIDE
 NON-REVERSE BALL CARRIER

Performance Characteristics

1st Winding 1st Connection

Design: 32BD0147AA

Marks:

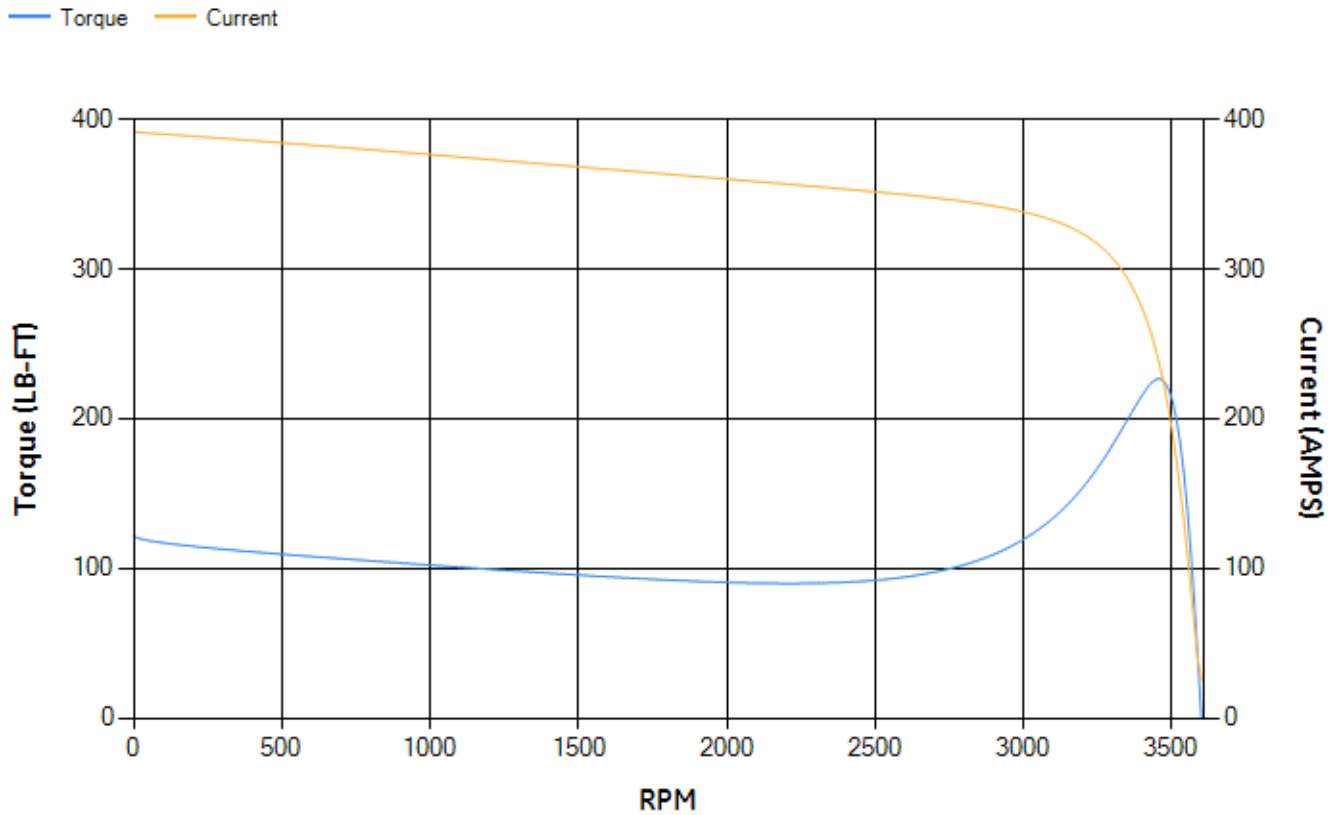
LOAD %	125.0	115.0	100.0	75.0	50.0	25.0	0.0
% EFF	92.22	92.46	92.9	92.69	91.63	86.96	0.00
% PF	86.65	86.33	85.38	81.82	73.23	52.06	7.19
AMPS	87.84	80.91	70.71	55.53	41.85	31.01	25.58

TORQ(FL)#FT	88.41	TORQ(LR)%FL	137.85	TORQ(BD)%FL	256.24
AMPS(LR)	391.58	PF AT START	0.3		

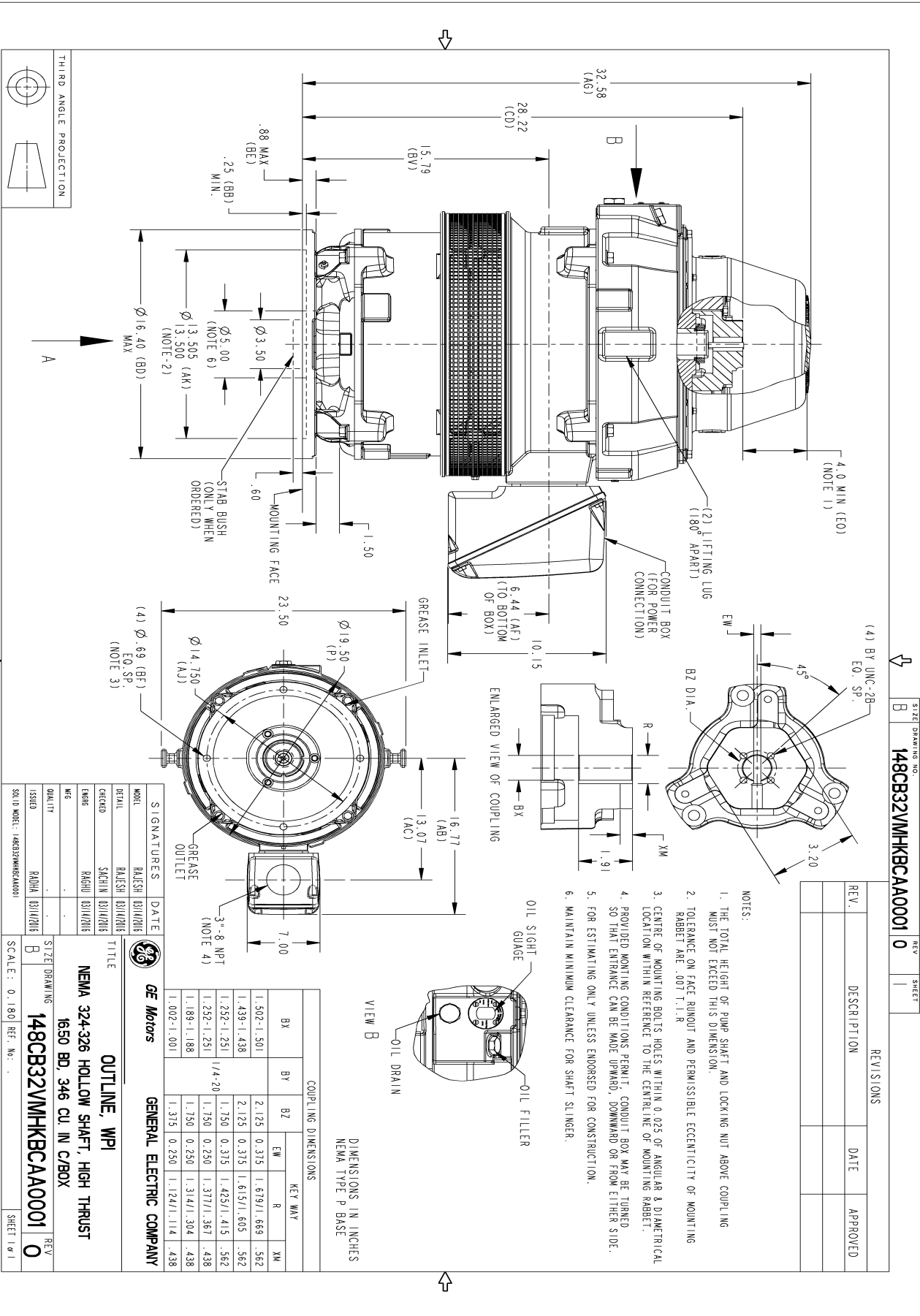
This motor is capable of two cold or one hot start with a maximum connected load inertia of 146 Lb-Ft Sq (6.15 Kg-meter Sq) at 100% voltage, where the load torque varies with the square of the speed. Acceleration time with maximum inertia and the above load type is 21 seconds. Safe stall time at 100% voltage is 39 seconds cold, 25 seconds hot. Rotor inertia is 3.69 Lb-Ft Sq (0.16 Kg-meter Sq).

Open Circuit A-C:	0.699	Short Circuit D-C:	0.019
Short Circuit A-C:	0.044	X/R Ratio:	7.325
Stator Slots:	48	Rotor Slots:	38

Speed Torque Current Curve (First Connection, First Speed)



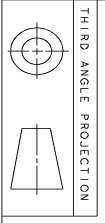
Marks:



SIZE DRAWING NO. B 148CB32VMHKBCAA0001 0

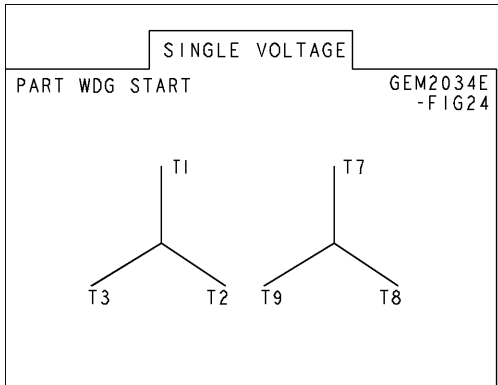
REV SHEET

REV SHEET



Marks:

Connection Diagram
GEM2034E-FIG24



WYE	L1	L2	L3	OPEN
START	T1	T2	T3	T7 T8 T9
RUN	T1-T7	T2-T8	T3-T9	—————

Heater Connection
3027JE-1C



SUPPLY VOLTAGE LEADS	L1	L2
HEATER LEADS	HE1	HE2

End shield Assembly		
Part Description	DE Side Part#	ODE Side Part#
End Shield	115E7205AA1	115E7208LA1
Bearing	235A2509BE01	235A2523AD01
Slinger/Inproseal	235A2300FM1	

Fan & Fan Cover Assembly	
Part Description	Part#
Fan	
Fan Cover	161C1052AA1

Conduit & Accessories Box Assembly	
Part Description	Part#
Conduit Box	149C4429AA2

Mechanical Accessories	
Part Description	Part#
Brake	
Tachometer	

