

Product Information Packet

November 8, 2016

Data shown is for the current revision model #. Ensure your nameplate model # matches.

Model Number:	5KS254XAA108D3
Catalog Number:	M9434
Instruction Manual:	GEI-56128
Connection Diagram:	GEM2034E-FIG1
Outline Drawing:	4002B5825PAP5311

Accessory Connection Diagrams			
Bearing Thermocouple:	None	Heater:	None
RTD:	None	Thermistor:	None
Thermostat:	None	Winding Thermocouple:	None
Bearing RTD:	None		

Table of Contents

Specification	01
Performance Characteristics	02
Outline Drawing	03
Connection Drawing(s)	04
Spare parts	05



Marks:

MODEL NUMBER:	5KS254XAA108D3	Estimated Weight:	315 Lbs
Outline Drawing:	4002B5825PAP5311	Time Rating:	CONT
Connection Diagram:	GEM2034E-FIG1	Enclosure:	TEFC
Instruction Book:	GEI-56128	Encl Construction:	841
Design Code:	25BD0090A	Ambient Max(°C):	40
Type:	KS	Alt Ambient Max(°C):	--
Frame:	254T	Insulation Class:	H
Phases:	3	NEMA Design:	B
Poles:	2	Nominal Efficiency:	91 %
Output Power:	15HP 11.1KW	Guaranteed Efficiency:	90.2
RPM:	3550	3/4 Load Efficiency:	91.8
Voltage:	460	KVA Code:	G
Hertz:	60	Max KVAR:	2.9
Amps - FL:	17.3	Power Factor:	89.0
Service Factor:	1.15	Bearing - DE:	6309ZC3
Alt Service Factor:	--	Bearing - ODE:	6309ZC3

Enclosure is Totally Enclosed Fan-Cooled

Stamped Nameplate Notes:

IEEE-STD-841-2009
 DE BRG 45BC03JP30 ODE BRG 45BC03JP30
 STAMP NP249A5564P051 AS BELOW:
 MODEL:5KS254XAA108D3 S/N: XXX
 CSA CERTIFIED CSA09.2216219 FOR EX NA IIC 200 C GC
 CL1ZONE2 AEXNAIIC 200 C; CL1DIV2 GRP ABCD 200 C
 IN -25C <= AMB <= 40C, 1.0 SF ON SINE-WAVE PWR
 SURF TEMP 230 C AT 1.15 SF ON SINE-WAVE PWR
 OR 200 C VT OR 215 C CT OR 200 C CHP PWM CONTROL
 ALTERNATE RATING FOR PWM CONTROL 1.0 SF 40 C AMB
 VT 0-60 HZ, CT 3-60 HZ, CHP 60-90 HZ.

Additional Information:

2P - T EXTN
 STANDARD FLOOR MOUNT
 C/BOX 137 CU IN-1.25 NPT
 F1 CONDUIT BOX MOUNTING
 PAINTED FRAME ID & SHAFT,
 FAN COVER INSIDE & ODE E/S OUTSIDE
 ROUTINE AND 5 POINT VIBRATION TESTS INCL IN C/BOX
 INPRO SEAL BOTH ENDS
 GROUND SCREW ON FRAME
 SHAFT RUNOUT LIMIT .001" TIR
 COPPER WASHER UNDER HEADS OF BEARING CAP BOLTS
 APPLY TITE-SEAL (A50CD427A) ON BEARING CAP SCREWS, RABBETS,
 AND PLUG THREADS
 OIL RESISTANT SLEEVING ON LEADS



Performance Characteristics

1st Winding 1st Connection

Design: 25BD0090A

Marks:

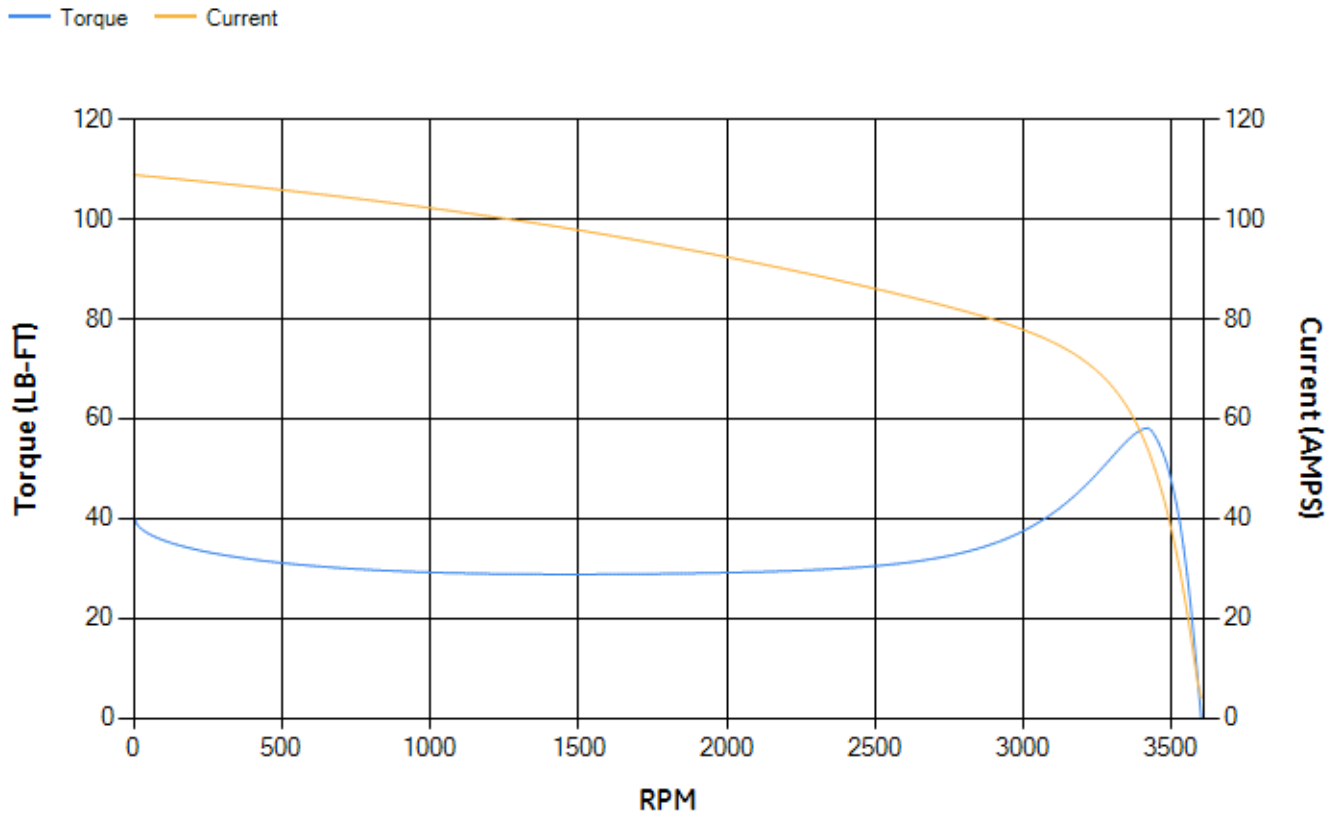
LOAD %	125.0	115.0	100.0	75.0	50.0	25.0	0.0
% EFF	89.46	90.13	91.15	91.83	91.73	88.48	0.00
% PF	88.61	89.02	89.24	88.25	83.82	67.77	9.58
AMPS	22.14	20.12	17.26	12.99	9.13	5.85	4.01

TORQ(FL)#FT	22.19	TORQ(LR)%FL	182.51	TORQ(BD)%FL	260.79
AMPS(LR)	108.87	PF AT START	0.3		

This motor is capable of two cold or one hot start with a maximum connected load inertia of 109 Lb-Ft Sq (4.59 Kg-meter Sq)at 100% voltage, where the load torque varies with the square of the speed. Acceleration time with maximum inertia and the above load type is 50 seconds. Safe stall time at 100% voltage is 94 seconds cold, 60 seconds hot. Rotor inertia is 1.05 Lb-Ft Sq (0.04 Kg-meter Sq).

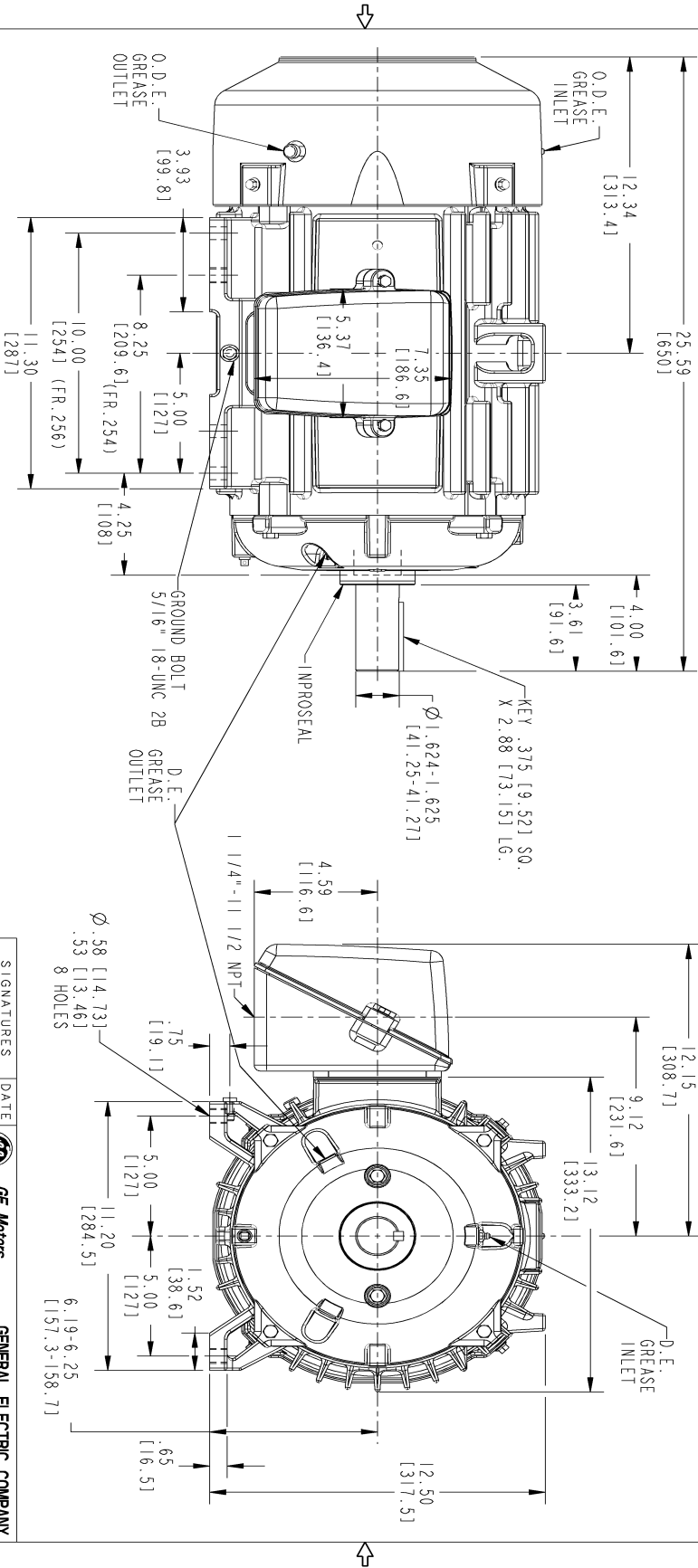
Open Circuit A-C:	0.844	Short Circuit D-C:	0.013
Short Circuit A-C:	0.031	X/R Ratio:	4.8
Stator Slots:	36	Rotor Slots:	26

Speed Torque Current Curve (First Connection, First Speed)



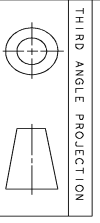
Marks:

NOTE 1: CONDUIT BOX MAY BE ASSEMBLED WITH ENTRANCE UP, DOWN OR TO EITHER SIDE.
 NOTE 2: F1 ASSEMBLY AS SHOWN. F2 ASSEMBLY CONDUIT BOX ON OPPOSITE SIDE FROM SHOWN LOCATION.
 NOTE 3: SHAFT RUNOUT WILL NOT EXCEED .001" I. P.R.



REV.	DESCRIPTION	DATE	APPROVED

SIZE	DRAWING NO.	REV	SHEET
B	4002B5825PAP5311	0	1



THIRD ANGLE PROJECTION

SIGNATURES		DATE	
MODEL	TEJASNI	05/18/15	
DETAIL	TEJASNI	05/18/15	
CHECKED	KARTHIK	05/18/15	
ENGR	SHAMANTHI	05/18/15	
QC			
ISSUED	TEJASNI	05/18/15	
SOLID MODEL: 4002B5825PAP5311			

TITLE	
INDUCTION MOTOR OUTLINE	
STANDARD CONSTRUCTION FOR IEEE-841 SPEC.	
FMR: FR250T	TEFC XSD ULTRA
SIZE DRAWING	4002B5825PAP5311
SCALE: 0.250	REV 0
REF. No.: 4002B5825PAP301	SHEET 1 of 1

GE Motors
 GENERAL ELECTRIC COMPANY

Marks:

Connection Diagram
GEM2034E-FIG1



End shield Assembly		
Part Description	DE Side Part#	ODE Side Part#
End Shield	4004D5283PB1	4004D5283SE1
Bearing	235A2607AA01	235A2607AA01
Slinger/Inproseal	4002B5914AF4	4002B5914AG4

Fan & Fan Cover Assembly	
Part Description	Part#
Fan	159C6704G02
Fan Cover	4003C5788PA1

Conduit & Accessories Box Assembly	
Part Description	Part#
Conduit Box	4002B5728PA-G04

Mechanical Accessories	
Part Description	Part#
Brake	
Tachometer	