

Product Information Packet

January 13, 2017

Data shown is for the current revision model #. Ensure your nameplate model # matches.

Model Number:	5KS254SAE225A
Catalog Number:	V984
Instruction Manual:	GEK-95655
Connection Diagram:	GEM2034E-FIG9
Outline Drawing:	4002B5825PLP5210

Accessory Connection Diagrams			
Bearing Thermocouple:	None	Heater:	3027JE-1
RTD:	None	Thermistor:	None
Thermostat:	None	Winding Thermocouple:	None
Bearing RTD:	None		

Table of Contents	
Specification	01
Performance Characteristics	02
Outline Drawing	03
Connection Drawing(s)	04

Marks:

MODEL NUMBER:	5KS254SAE225A	Estimated Weight:	315 Lbs
Outline Drawing:	4002B5825PLP5210	Time Rating:	CONT
Connection Diagram:	GEM2034E-FIG9	Enclosure:	TEFC
Instruction Book:	GEK-95655	Encl Construction:	SD
Design Code:	25BD1162A	Ambient Max(°C):	40
Type:	KS	Alt Ambient Max(°C):	--
Frame:	L254HP10	Insulation Class:	H
Phases:	3	NEMA Design:	B
Poles:	4	Nominal Efficiency:	92.4 %
Output Power:	15HP 11.1KW	Guaranteed Efficiency:	91.0
RPM:	1775	3/4 Load Efficiency:	92.7
Voltage:	230/460	KVA Code:	G
Hertz:	60	Max KVAR:	6.1
Amps - FL:	37.8/18.9	Power Factor:	80.5
Service Factor:	1.15	Bearing - DE:	6309ZC3
Alt Service Factor:	--	Bearing - ODE:	6309-2ZC3

Enclosure is Totally Enclosed Fan-Cooled

Stamped Nameplate Notes:

PREMIUM EFFICIENT MOTOR
HTR LDS H 115V 60W
SEVERE DUTY
INVERTER DUTY PER NEMA MG1 PART 31
ALTERNATE RATING FOR PWM CONTROL:
1.0 SF VAR TORQUE RANGE 0-60 HZ
IP 55
SUITABLE FOR 190/380V 50 HZ WITH
43.8/21.9 AMPS AND 1465 RPM AT 1.0 S.F

Additional Information:

4P - HP EXTN
C/BOX 137 CU IN-1.25 NPT
AUX LEADS EXIT WITH MOTOR LEADS
RCF 5000 CPM, STATIC DEFLECTION .0014 INCHES &
CENTER OF GRAVITY 10.75 INCHES
SOLID SHAFT NORMAL THRUST
OIL RESISTANT SLEEVING ON LEADS
BEARING LIFE 8760 HOURS AT 856 LB THRUST

Performance Characteristics

1st Winding 1st Connection

Design: 25BD1162A

Marks:

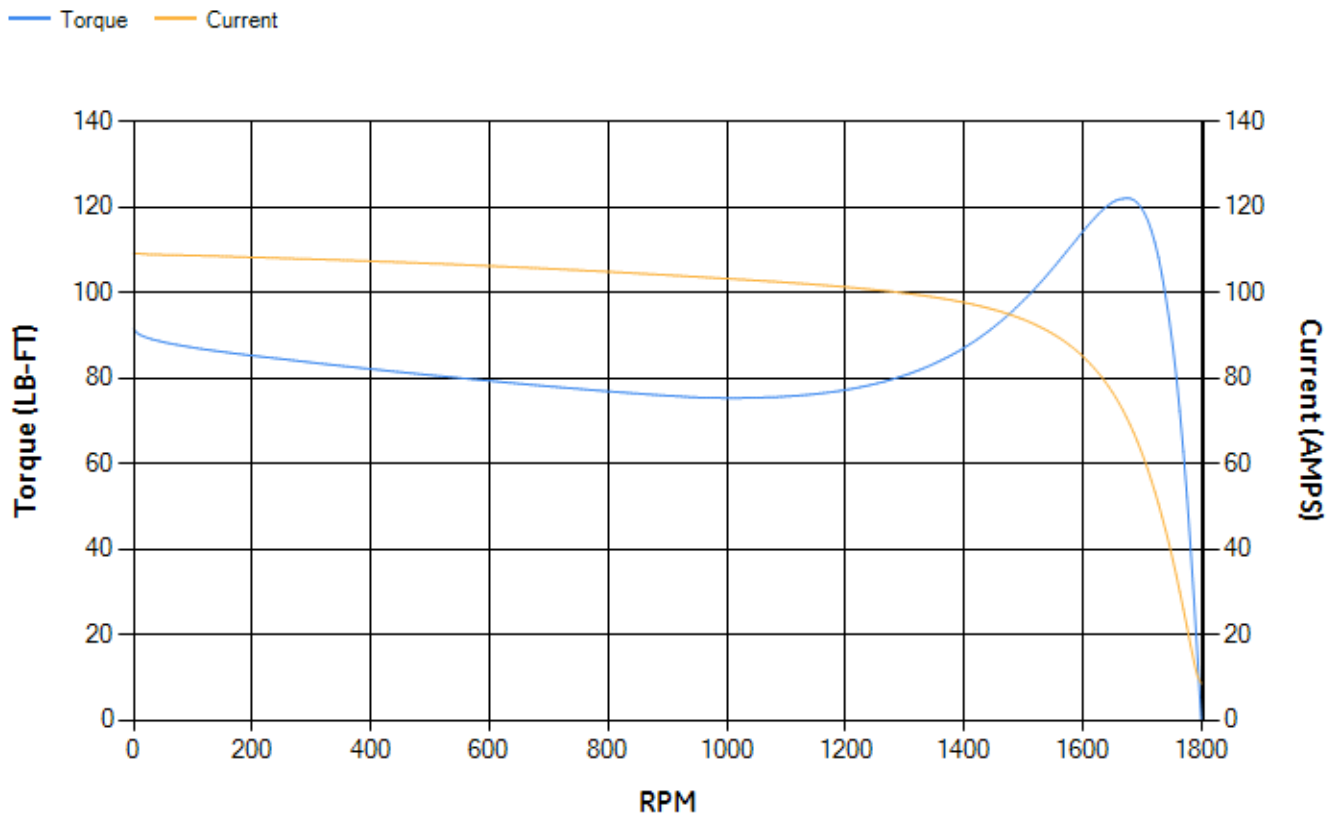
LOAD %	125.0	115.0	100.0	75.0	50.0	25.0	0.0
% EFF	91.42	91.81	92.48	92.69	92.17	88.49	0.00
% PF	83.38	82.57	80.73	75.15	63.81	41.38	4.49
AMPS	23.02	21.3	18.8	15.12	11.93	9.58	8.54

TORQ(FL)#FT	44.38	TORQ(LR)%FL	206.21	TORQ(BD)%FL	273.89
AMPS(LR)	109.14	PF AT START	0.46		

This motor is capable of two cold or one hot start with a maximum connected load inertia of 457 Lb-Ft Sq (19.24 Kg-meter Sq)at 100% voltage, where the load torque varies with the square of the speed. Acceleration time with maximum inertia and the above load type is 38 seconds. Safe stall time at 100% voltage is 85 seconds cold, 54 seconds hot. Rotor inertia is 1.99 Lb-Ft Sq (0.08 Kg-meter Sq).

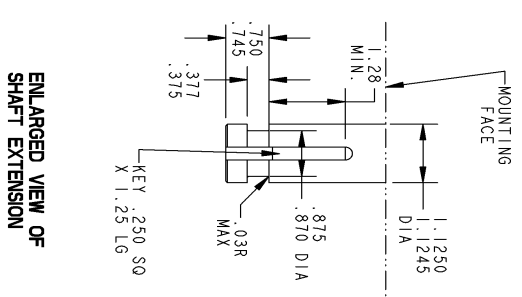
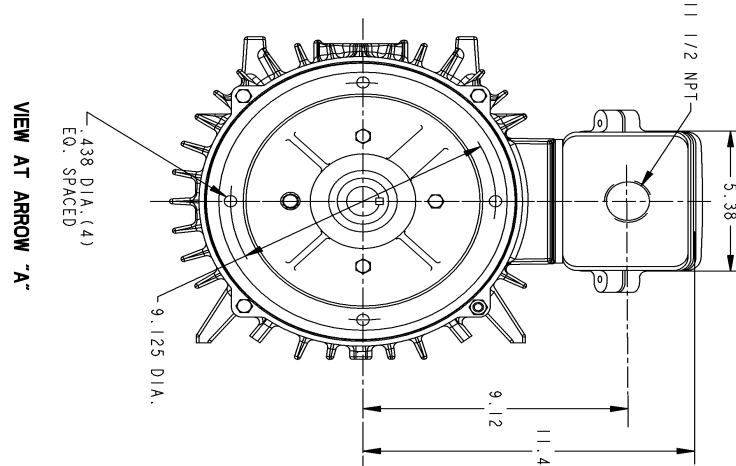
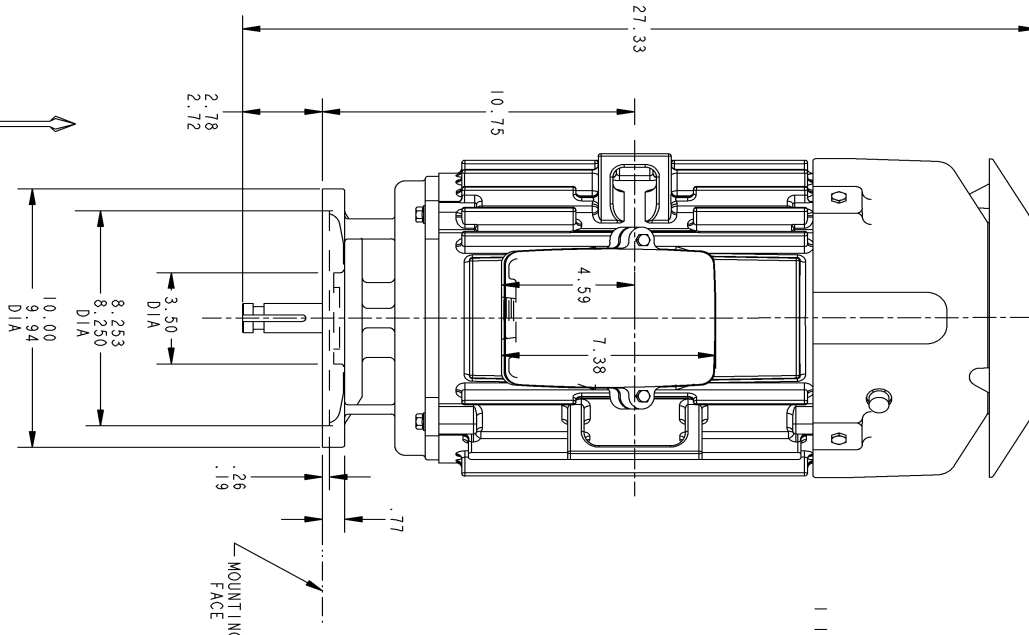
Open Circuit A-C:	0.386	Short Circuit D-C:	0.012
Short Circuit A-C:	0.023	X/R Ratio:	4.434
Stator Slots:	48	Rotor Slots:	40

Speed Torque Current Curve (First Connection, First Speed)



NAME:320002276 OBJECT:4002B5825PLP5210 DATE:13-Feb-09 16:29:27

Marks:



NOTE 1: CONDUIT BOX MAY BE ASSEMBLED WITH ENTRANCE UP, DOWN OR TO EITHER SIDE

VIEW AT ARROW "A"

ENLARGED VIEW OF SHAFT EXTENSION

CAD NO.	4002B5825PLP5210			TITLE	PETERBOROUGH	4002B5825PLP5210
REF.	4002B5825PLP210			MOTOR PLANT	CONT. ON SHT. -	SHT. NO. 1
PLDT CLASS		FIRST MADE FOR		INDUCTION MOTOR OUTLINE	FR. K-L254HP10	CIR STANDARD VERTICAL
PLDT SCALE	.25	T. E. F. C.		SOLID SHAFT - NORMAL THRUST	5KS2560PL6D9A	(OPL)

REV	DESCRIPTION	DATE	INT'L	NAME	DATE
2	ISAC NO: # 09-0130 ATUL	02/12/09		DRAMAN P. RAJU	06/23/03
1	EXTRA DIMENSION REMOVED	06/24/03		CHEKED BHARATHI	06/23/03

CAD DRAWING - NO MANUAL REVISIONS PERMITTED

PRINTS TO

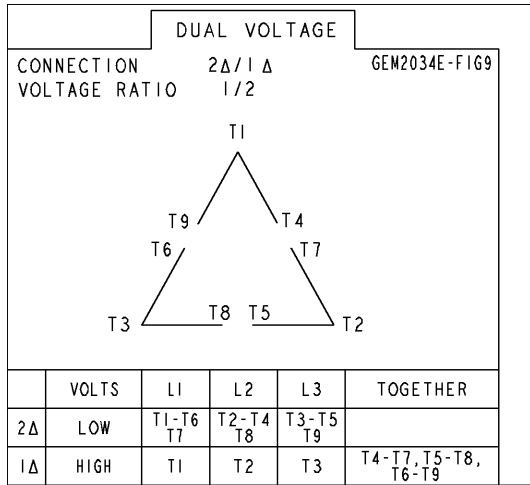
18K15

CONT. ON SHT. -

SHT. NO. 1

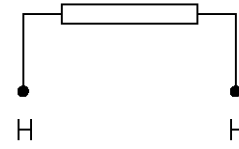
Marks:

Connection Diagram
GEM2034E-FIG9



Heater Connection
3027JE-1

FIG. 1
HEATER CONN.



CONTROL	L1	L2
VOLTAGE ONLY	H	H