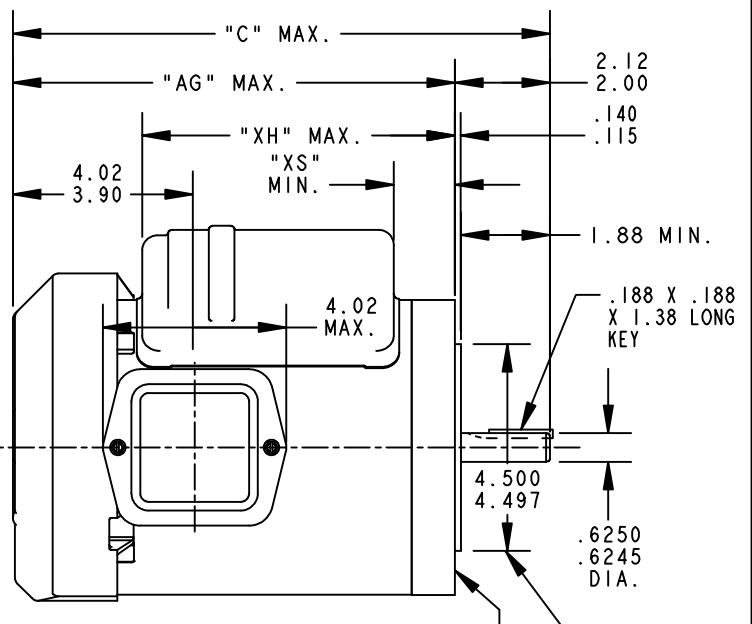
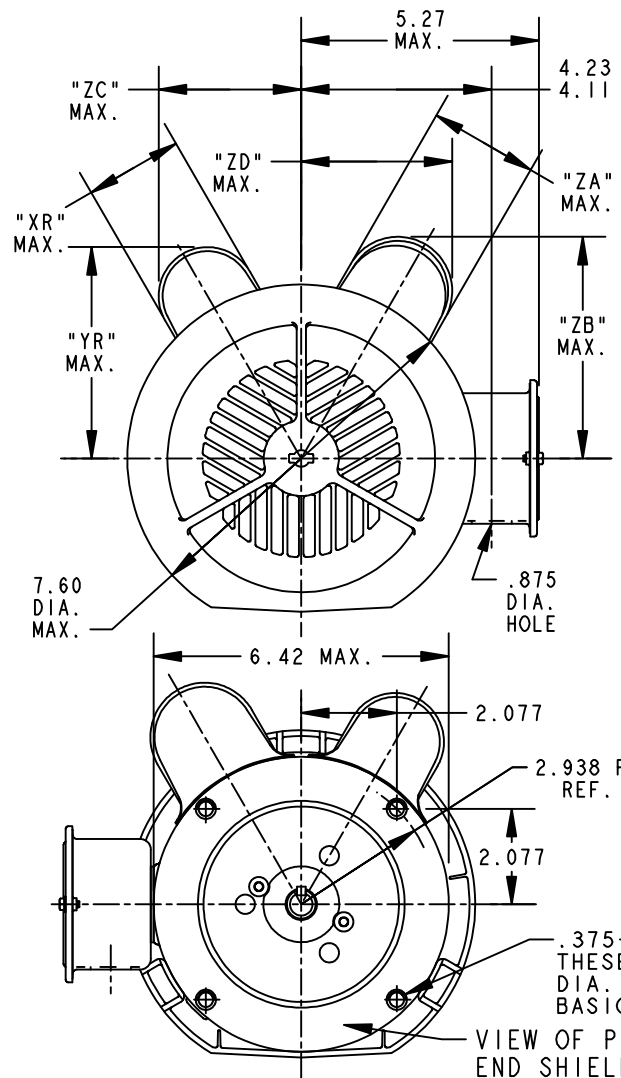


THIRD ANGLE PROJECTION

REVISIONS			
REV.	DESCRIPTION	DATE	APPROVED
9	ADDED PART #5.	02/13/02	M.D. PAPE
10	CHG TO RBC FORMAT PER IS05-1777	03/01/06	SUDHA

SHEET 1
REV 9
52A107673
SIZE DRAWING NO. A



FACE RUNOUT (WITH INDICATOR MOUNTED STATIONARY, RELATIVE TO SHAFT) MUST NOT EXCEED .004 T.I.R.
ECCENTRICITY OF THIS SURFACE (WITH INDICATOR MOUNTED STATIONARY, RELATIVE TO SHAFT) MUST NOT EXCEED .004 T.I.R.

ALL DIMENSIONS ARE IN INCHES

5	KCR	46	56C	11.84	9.72	6.94	4.68	2.15	1.19	2.15	4.68	3.20	3.20	6.55
4	KCR	49	56C	14.92	12.80	8.12	4.68	2.15	2.47	2.72	5.28	3.20	3.38	9.63
3	KCR	49	56C	14.28	12.16	8.92	4.68	2.15	3.17	2.40	4.90	3.20	3.38	8.99
2	KCR	46	56C	11.84	9.72	6.94	4.68	2.15	1.19	2.40	4.90	3.20	3.38	6.55
1	KCR	49	56C	12.97	10.85	8.07	4.68	2.15	2.32	2.40	4.90	3.20	3.38	7.68
P	TYPE	GE SIZE	NEMA FR.	"C"	"AG"	"XH"	"YR"	"XR"	"XS"	"ZA"	"ZB"	"ZC"	"ZD"	MIN. SHELL

SIGNATURES		DATE
MODEL	M.D. PAPE	04/23/91
DETAIL	.	.
CHECKED	.	.
ENGRG	.	.
MFG	.	.
QUALITY	.	.
ISSUED	M.D. PAPE	07/14/94
SOLID MODEL: 52A107673		

REGAL-BELOIT CORPORATION

TITLE
OUTLINE
GENERAL PURPOSE MOTOR TEFC -
BALL BEARING R2 END MOUNTED FMF - 40 FRAME REDESIGN

SIZE DRAWING
A

52A107673
REV 9

SCALE: 0.250 REF. No: . SHEET 1 of 1