

4

3

2

1

GENERAL INFORMATION:

SHAFT RUNOUT: .001 [.03] T.I.R. PER INCH LENGTH OF EXTENSION

BEARINGS: BALL

MOUNTING POSITION: ALL ANGLE

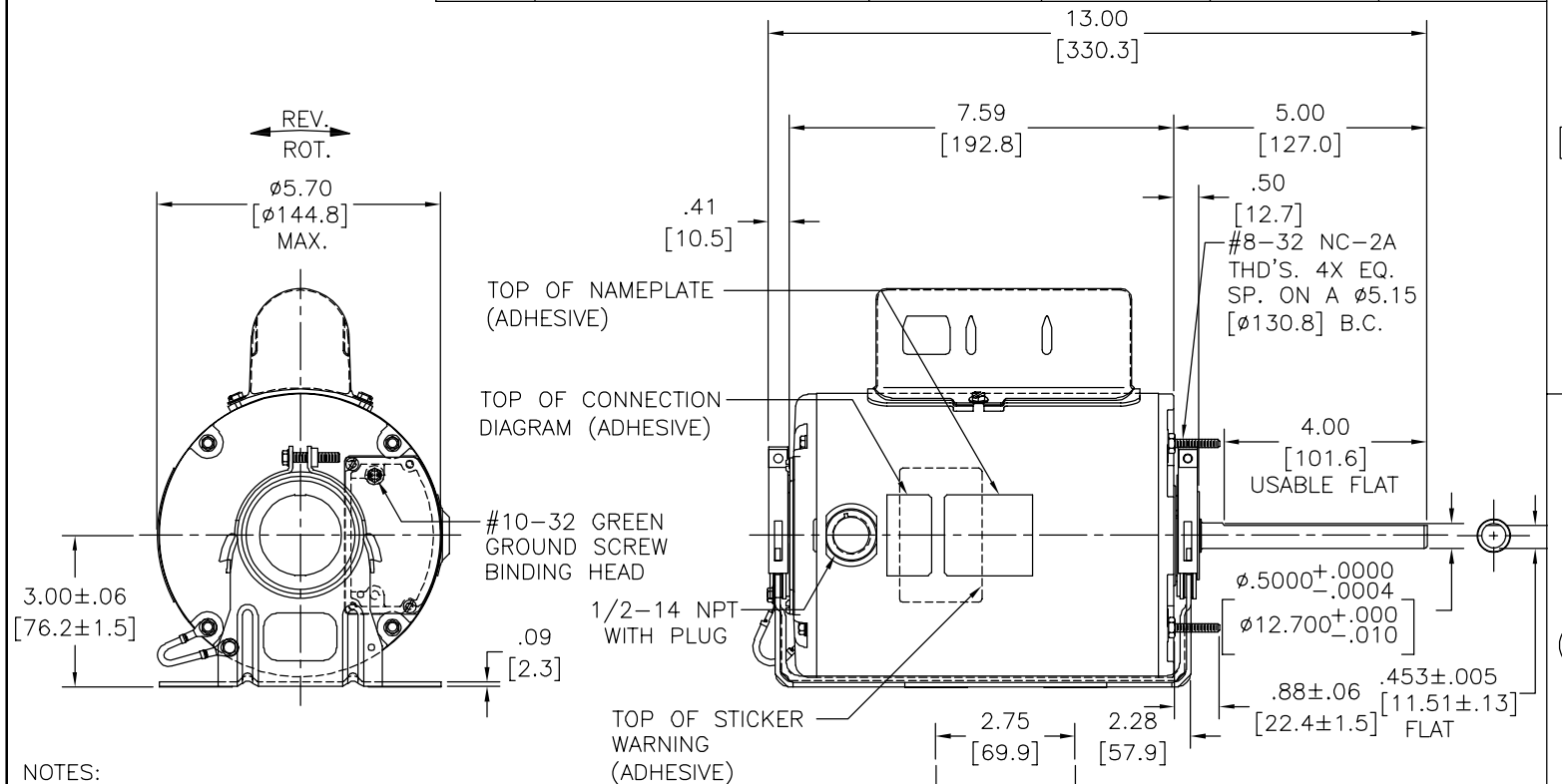
ELECTRICAL DATA:

OVERLOAD PROTECTOR: AUTOMATIC RESET (T.I. 2AM7BUH0500)

LEADS: NO. 18 GA., .03 [.8] THK. XLP 125°C INSUL.

GROUND LEAD: NO. 18 GA., .03 [.8] THK., GREEN/YELLOW INSUL.

REV	ECO	REV BY	DATE	APPD	DATE
H	0025527	J.AGUILERA	04-24-2012	R.RASCON	04-24-2012



NOTES:

- SHIP SEPARATE 72T7140A-3 BAG ASSEMBLY AND 72T7176A-8 BAG ASSEMBLY.
- MOTOR TO BE SHIPPED CONNECTED FOR CCWLE ROTATION AND 115 VOLTS.

GREEN/YELLOW (GROUND)	CONNECTED TO BASE	#10 EYELET
RED	CONNECTED TO CAPACITOR	.25 [6.4] FLAG
RED	CONNECTED TO CAPACITOR	.25 [6.4] FLAG
YELLOW	5.0/6.0 [127/152]	.25 [6.4] FLAG
BLACK	5.0/6.0 [127/152]	.25 [6.4] FLAG
ORANGE	5.0/6.0 [127/152]	.25 [6.4] FLAG
WHITE	5.0/6.0 [127/152]	.25 [6.4] FLAG
RED	5.0/6.0 [127/152]	.25 [6.4] FLAG
BROWN	5.0/6.0 [127/152]	.25 [6.4] FLAG
YELLOW/BLACK	5.0/6.0 [127/152]	.25 [6.4] FLAG
COLOR	LENGTH	TERMINAL OR STRIP LENGTH

MAIN FRAME - OLE	ENCLOSED
END FRAME - OLE	ENCLOSED
MAIN FRAME - LE	ENCLOSED
END FRAME - LE	ENCLOSED

CUSTOMER	DISTRIBUTION SERVICE
----------	----------------------

NAMEPLATE DATA:	EXTERNAL CONNECTION DIAGRAM
MODEL NO.: F48Y96A01 CUST. P/N: 769A HP: 1/2 ROT.: REVERSIBLE RPM: 1725 TYPE: UF FRAME: 48Y VOLTS: 115/230 PH: 1 AMPS: 6.2/3.1 HZ: 60 INS.: B AMB.: 60° C DUTY: AIR OVER CAP.: 25 MFD/370 V ENCL: ENCLOSED UL LOGO CSA LOGO THERMALLY PROTECTED	<p>YEL/BLK — L2 BROWN — B WHITE — A ORANGE — A RED — A BLACK — L1 YELLOW — L1</p> <p>HIGH VOLTS</p> <p>YEL/BLK — L2 BROWN — B ORANGE — A RED — A BLACK — L1 WHITE — L1 YELLOW — L1</p> <p>LOW VOLTS</p> <p>SHOWN FOR CCWLE ROTATION, FOR CWLE INTERCHANGE RED AND BLACK LEADS 614131-345</p>

PERFORMANCE CURVE NO.	TORQUE @ 1725 RPM (25°C)	APPROVED SAMPLE	UL COMPONENT FILE #	CCN #	CSA FILE #	CLASS #
C32669	21.8 OZ. FT.	0603193B	E46412	PRGY2	LR43341	4211-01

GEOMETRIC CHARACTERISTICS & SYMBOLS
 □ FLATNESS
 — STRAIGHTNESS
 < ANGLARITY
 ⊥ PERPENDICULARITY (SQUARENESS)
 // PARALLELISM
 ○ ROUNDNESS (CIRCULARITY)
 ⌀ CYLINDRICITY
 △ PROFILE OF ANY SURFACE
 ∩ PROFILE OF ANY LINE
 ↗ RUNOUT
 ⊕ TRUE POSITION
 ⊙ CONCENTRICITY
 = SYMMETRY
 ASME Y14.5M 1994

REGAL-BELOIT CORPORATION (RBC) PROVIDES TECHNICAL ASSISTANCE TO OUR CUSTOMERS IN SEVERAL AREAS. SINCE RBC DOES NOT RECEIVE ALL DATA CONCERNING THE USE AND APPLICATION OF THE MOTOR, THE SUITABILITY OF THE MOTOR FOR THE APPLICATION MUST BE DETERMINED BY THE CUSTOMER.

DIMENSIONS WITHOUT TOLERANCES ARE FOR REFERENCE ONLY.

DR BY: CZ 04-02-2007
 APPD: TR 02-25-2008
 THIRD ANGLE PROJECTION
 CONFIDENTIAL: THIS DRAWING AND ITS INFORMATION ARE THE EXCLUSIVE AND CONFIDENTIAL PROPERTY OF REGAL-BELOIT CORPORATION AND ARE NOT TO BE DISCLOSED, DUPLICATED, DISTRIBUTED OR OTHERWISE USED WITHOUT THE WRITTEN CONSENT OF REGAL-BELOIT CORPORATION. -ALL RIGHTS RESERVED.

REGAL-BELOIT CORPORATION
 DESCRIPTION: MODEL-RFHP-48FR OUTLINE
 SIZE: C DWG NO: 769A
 SCALE: NONE SHEET: 1

4

3

2

1

4

3

2

1

INFORMACION GENERAL:

OSCILACION DE FLECHA: .001 [.03] T.I.R. PER INCH LENGTH OF EXTENSION

BALEROS: BALERO

POSICION DEL MONTAJE: TODOS LOS ANGULOS

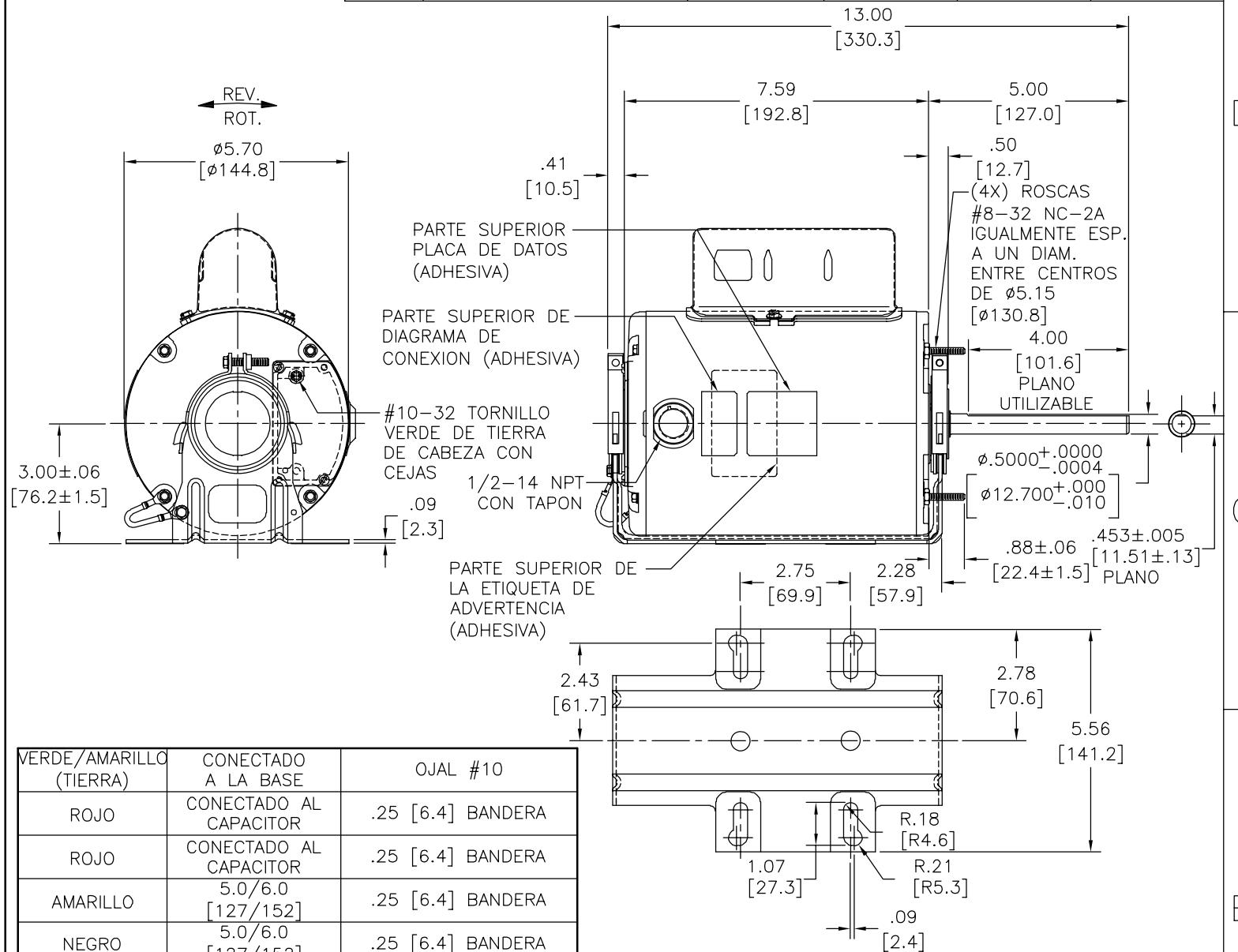
INFORMACION ELECTRICA:

PROTECTOR DE SOBRECARGA: REINICIO AUTOMATIC (T.I. 2AM7BUH0500)

CABLES: NO. 18 GA., .03 [.8] THK. XLP 125°C AISLAM.

CABLE DE TIERRA: NO. 18 GA., .03 [.8] THK. (VERDE/AMARILLO) AISLAM.

REVISION:	ECO	REVISADO POR:	FECHA:	APROBADO POR:	FECHA:
H	0025527	J.AGUILERA	04-24-2012	R.RASCON	04-24-2012



VERDE/AMARILLO (TIERRA)	CONECTADO A LA BASE	OJAL #10
ROJO	CONECTADO AL CAPACITOR	.25 [6.4] BANDERA
ROJO	CONECTADO AL CAPACITOR	.25 [6.4] BANDERA
AMARILLO	5.0/6.0 [127/152]	.25 [6.4] BANDERA
NEGRO	5.0/6.0 [127/152]	.25 [6.4] BANDERA
NARANJA	5.0/6.0 [127/152]	.25 [6.4] BANDERA
BLANCO	5.0/6.0 [127/152]	.25 [6.4] BANDERA
ROJO	5.0/6.0 [127/152]	.25 [6.4] BANDERA
CAFE	5.0/6.0 [127/152]	.25 [6.4] BANDERA
AMARILLO/NEGRO	5.0/6.0 [127/152]	.25 [6.4] BANDERA
COLOR	LONGITUD	TERMINAL O LONGITUD DE DESFORRE

CARCASA - LOC	ENCERRADO
TAPA - LOC	ENCERRADO
CARCASA - LC	ENCERRADO
TAPA - LC	ENCERRADO

CLIENTE	DISTRIBUTION SERVICE
---------	----------------------

INFORMACION DE ETIQUETA:	DIAGRAMA DE CONEXION EXTRNA
MODEL NO.: F48Y96A01 CUST. P/N: 769A HP: 1/2 ROT.: REVERSIBLE RPM: 1725 TYPE: UF FRAME: 48Y VOLTS: 115/230 PH: 1 AMPS: 6.2/3.1 HZ: 60 INS.: B AMB.: 60° C DUTY: AIR OVER CAP.: 25 MFD/370 V ENCL: ENCLOSED UL LOGO CSA LOGO THERMALLY PROTECTED	<p>YEL/BLK — L2</p> <p>BROWN — B</p> <p>WHITE — A</p> <p>ORANGE — A</p> <p>RED — A</p> <p>BLACK — L1</p> <p>YELLOW — L1</p> <p>YEL/BLK — L2</p> <p>BROWN — B</p> <p>ORANGE — A</p> <p>RED — A</p> <p>BLACK — L1</p> <p>WHITE — L1</p> <p>YELLOW — L1</p> <p>LOW VOLTS</p> <p>SHOWN FOR CWLW ROTATION, FOR CWLE INTERCHANGE RED AND BLACK LEADS</p> <p>614131-345</p>

CURVAS DE FUNCIONAMIENTO	TORSION @ 1725 RPM (25°C)	MUESTRA APROBADA	COMPONENTE UL	CSA
C32669	21.8 OZ. FT.	0603193B	#ARCHIVO PRGY2	CLASE # 4211-01

CARACTERISTICAS DE GEOMETRIA Y SIMBOLOS

- PLANICIDAD
- RECTITUD
- ∠ ANGULARIDAD
- ⊥ PERPENDICULARIDAD (A ESCUADRA)
- // PARALELISMO
- REDONDEZ (CIRCULARIDAD)
- ∅ CILINDRICIDAD
- △ PERFIL DE CUALQUIER SUPERFICIE
- ∩ PERFIL DE CUALQUIER LINEA
- ∧ VARIACION
- ⊕ POSICION REAL
- ⊙ CONCENTRICIDAD
- ≡ SIMETRIA

ASME Y14.5M 1994

REGAL-BELOIT CORPORATION (RBC) PROVEE ASISTENCIA TECNICA A NUESTROS CLIENTES EN VARIAS AREAS. DESDE QUE RBC NO RECIBE TODOS LOS DATOS EN RELACION AL USO Y A LA APLICACION DEL MOTOR, LA APLICACION ADECUADA DEL MOTOR DEBE SER DETERMINADA POR EL CLIENTE.

DIMENSIONES SIN TOLERANCIA SON DE REFERENCIA SOLAMENTE

DIBUJADO POR: CZ 04-02-2007

APROBADO POR: TR 02-25-2008

TERCER ANGULO DE PROYECCION

FECHA EDS: 11-11-2011

REV. FORMATO: G

CONFIDENCIAL: ESTE DIBUJO Y SU INFORMACION SON PROPIEDAD DE USO EXCLUSIVO Y CONFIDENCIAL DE REGAL-BELOIT CORPORATION. Y NO DEBERAN SER REVELADOS, DUPLICADOS, DISTRIBUIDOS O USARSE DE OTRA MANERA SIN EL CONSENTIMIENTO ESCRITO DE REGAL-BELOIT CORPORATION. -TODOS LOS DERECHOS RESERVADOS.

DESCRIPCION: MODEL-RFHP-48FR OUTLINE

TAMAÑO: C NUMERO DE DIBUJO: 769A

ESCALA: NONE HOJA: 1

4

3

2

1

4

3

2

1

总技术要求:

轴跳动: .001[.03]/1[25.4]外伸轴

轴承: 球轴承

安装位置: 全方位

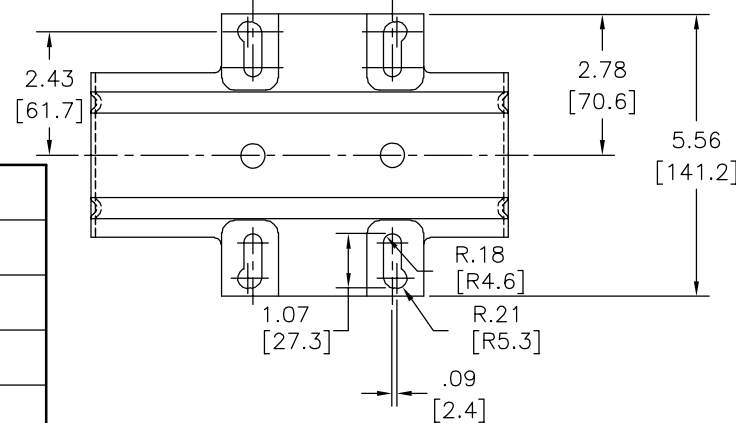
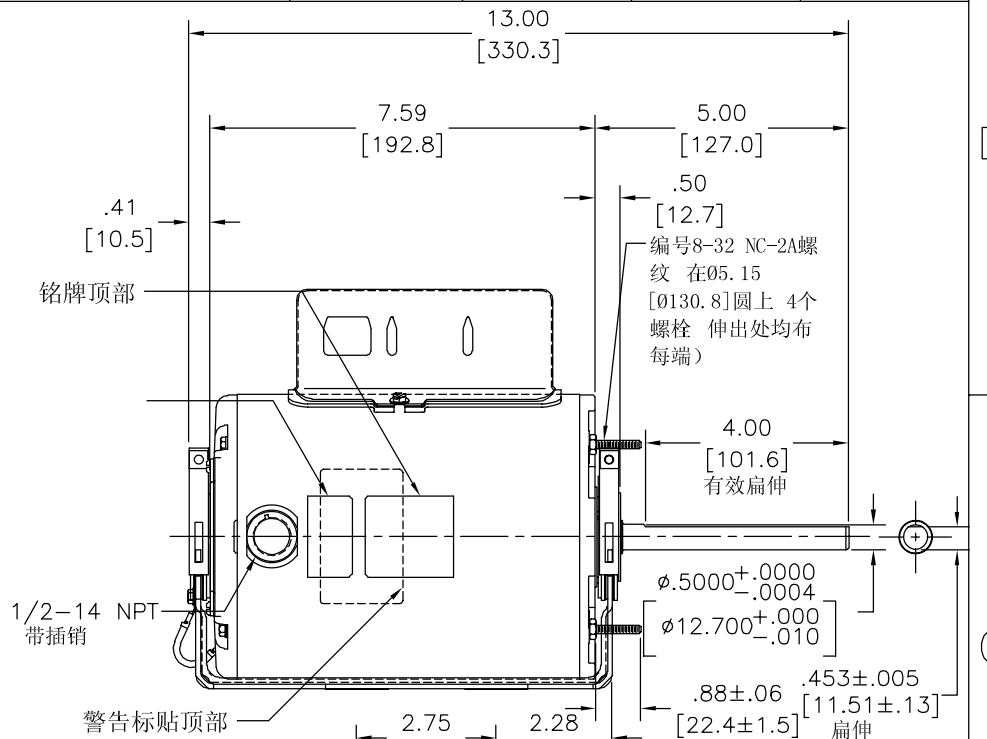
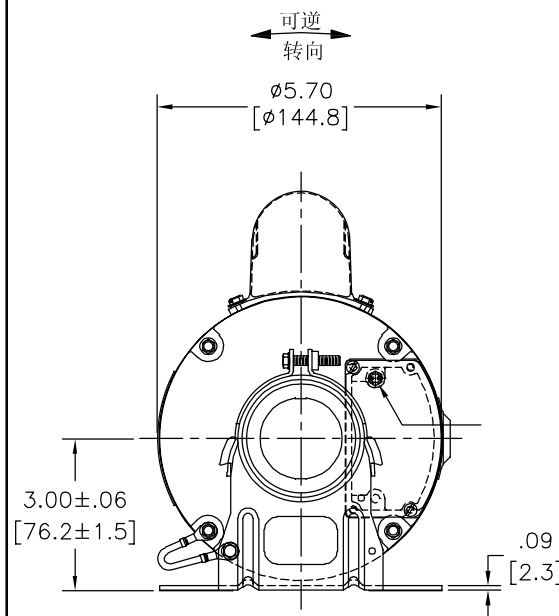
电气数据:

过载保护: 自动复位 (T. I. 2AM7BUH0500)

引线: 18# (美制标准), 厚.03[.8] XLP 125° C 绝缘

接地线: 18# (美制标准), 厚.03[0.8]绿色绝缘

版本	ECO	编制	J.AGUILERA	日期	04-24-2012	批准	R.RASCON	日期	04-24-2012
H	0025527								



颜色	长度	端子或剥线长度
绿色 (接地线)		#10 带环线
红		.25 [6.4] 旗形插
红		.25 [6.4] 旗形插
蓝	5.0/6.0 [127/152]	.25 [6.4] 旗形插
黑	5.0/6.0 [127/152]	.25 [6.4] 旗形插
棕	5.0/6.0 [127/152]	.25 [6.4] 旗形插
白	5.0/6.0 [127/152]	.25 [6.4] 旗形插
红	5.0/6.0 [127/152]	.25 [6.4] 旗形插
棕	5.0/6.0 [127/152]	.25 [6.4] 旗形插
蓝/黑	5.0/6.0 [127/152]	.25 [6.4] 旗形插

无引线端机壳	密封
无引线端端盖	密封
有引线端机壳	密封
有引线端端盖	密封

用户	DISTRIBUTION SERVICE
----	----------------------

铭牌数据	外部数据线
MODEL NO.: F48Y96A01 CUST. P/N: 769A HP: 1/2 ROT.: REVERSIBLE RPM: 1725 TYPE: UF FRAME: 48Y VOLTS: 115/230 PH: 1 AMPS: 6.2/3.1 HZ: 60 INS.: B AMB.: 60° C DUTY: AIR OVER CAP.: 25 MFD/370 V ENCL: ENCLOSED UL LOGO CSA LOGO THERMALLY PROTECTED	<p>YEL/BLK — L2</p> <p>BROWN — B</p> <p>WHITE — A</p> <p>ORANGE — A</p> <p>RED — A</p> <p>BLACK — L1</p> <p>YELLOW — L1</p> <p>HIGH VOLTS</p> <p>YEL/BLK — L2</p> <p>BROWN — B</p> <p>ORANGE — A</p> <p>RED — A</p> <p>BLACK — L1</p> <p>WHITE — L1</p> <p>YELLOW — L1</p> <p>LOW VOLTS</p> <p>SHOWN FOR CCWLE ROTATION, FOR CWLE INTERCHANGE RED AND BLACK LEADS</p> <p>614131-345</p>

性能曲线编号	转矩在 @ 1725 RPM (25° C)	批准样品	UL部件		CSA	
			文件号	指南	文件号	指南
C32669	21.8 OZ. FT.	0603193B	E46412	PRGY2	LR43341	4211-01

- 形位公差
- 平面度
- 直线度
- ∠ 倾斜度
- ⊥ 垂直度
- // 平行度
- 圆度
- ⊘ 圆柱度
- ⊖ 面轮廓度
- △ 线轮廓度
- ∩ 圆跳动
- ⊕ 位置度
- ◎ 同轴度
- ≡ 对称度

ASME Y14.5M 1994

REGAL-BELOIT CORPORATION (RBC) 在个别领域为客户提供技术支持。鉴于RBC未收到任何涉及电机使用和应用环境的数据, 电机的适用性由客户自己决定。

未注公差尺寸仅供参考。

绘图:	CZ	04-02-2007
批准:	TR	02-25-2008
第三角投影		图纸格式发布日期 11-11-2011 图纸格式版本 G
机密: 本图纸及相关信息所有权归REGAL-BELOIT CORPORATION。未经REGAL-BELOIT CORPORATION书面授权, 不得泄露、复制、传播或作其他用途。一版权所有		

名称 MODEL-RFHP-48FR OUTLINE	
图幅 C	图号 769A
比例 NONE	页号 1

4

3

2

1