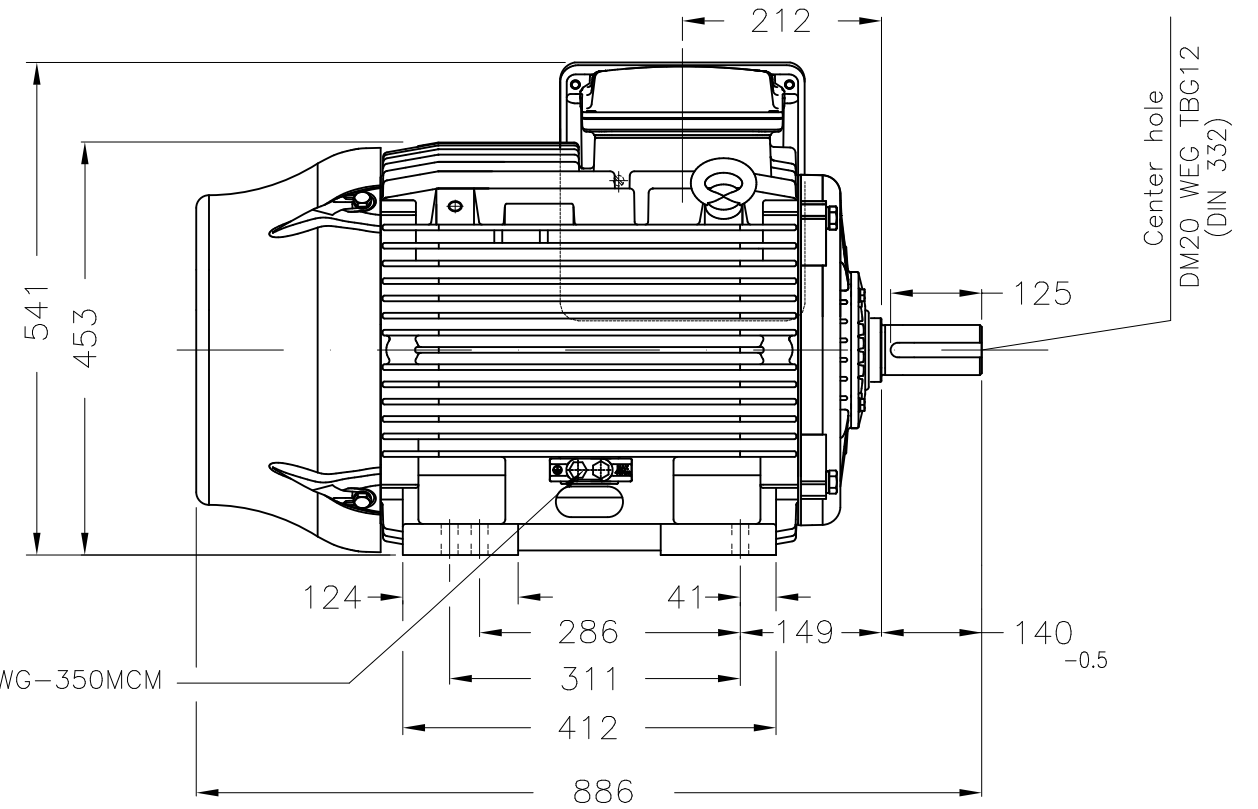
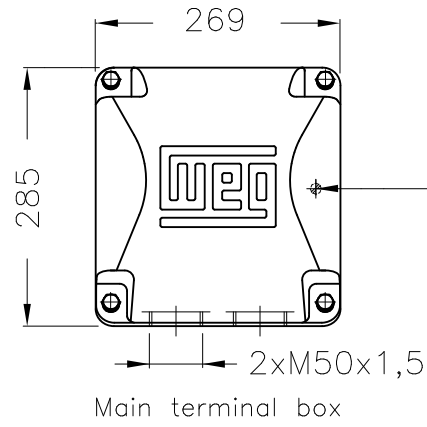
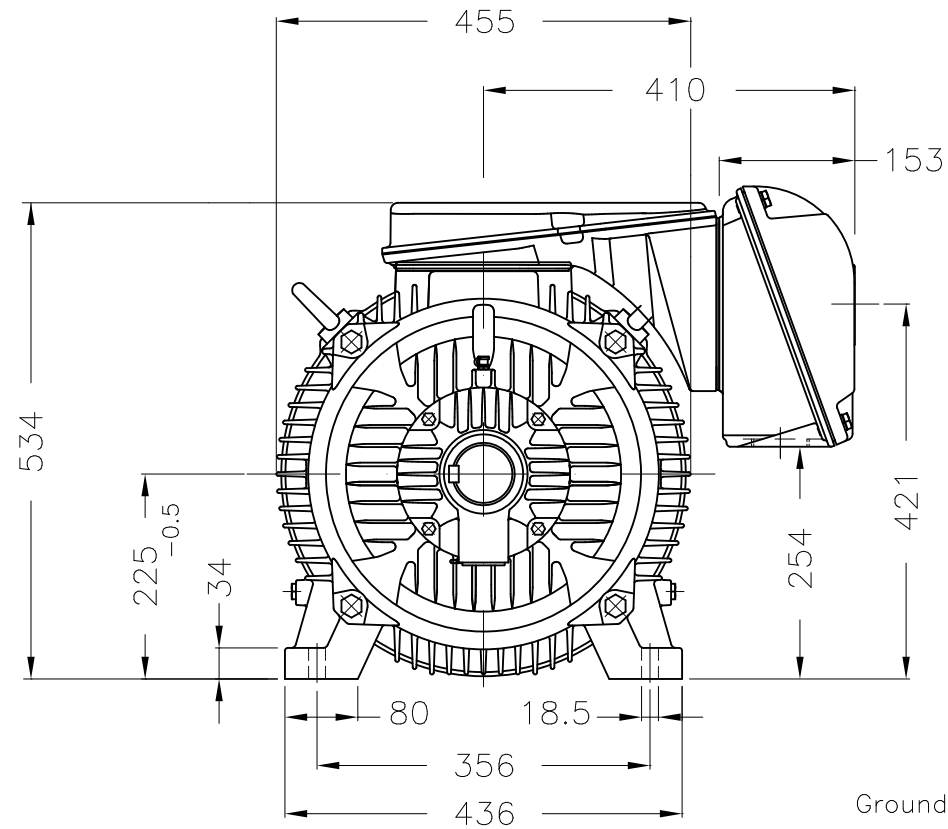
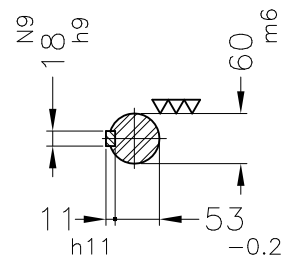


Dimensões em mm  
Dimensions in mm

THIS IS AN UPDATED REVISION, THE  
PREVIOUS ONE MUST BE DISREGARDED.



Grounding for leads 25–185 mm<sup>2</sup> / 3AWG–350MCM



DE Shaft End

Color RAL 5009

Painting plan 203A

Mounting B3L(E)

ECM	LOC	SUMMARY OF MODIFICATIONS			EXECUTED	CHECKED	RELEASED	DATE	VER
EXECUTED	USERADMIN		THREE PHASE W22 TRU-METRIC PREMIUM EFF						
CHECKED			FRAME 225S/M IP55 TEFC						
RELEASED			WEG code: 11974205						
REL DT	24.07.2017	WMO	Jaragua do Sul	Product Engineering	SHEET	1 / 1			

40 HP 06 Poles 60Hz

A

