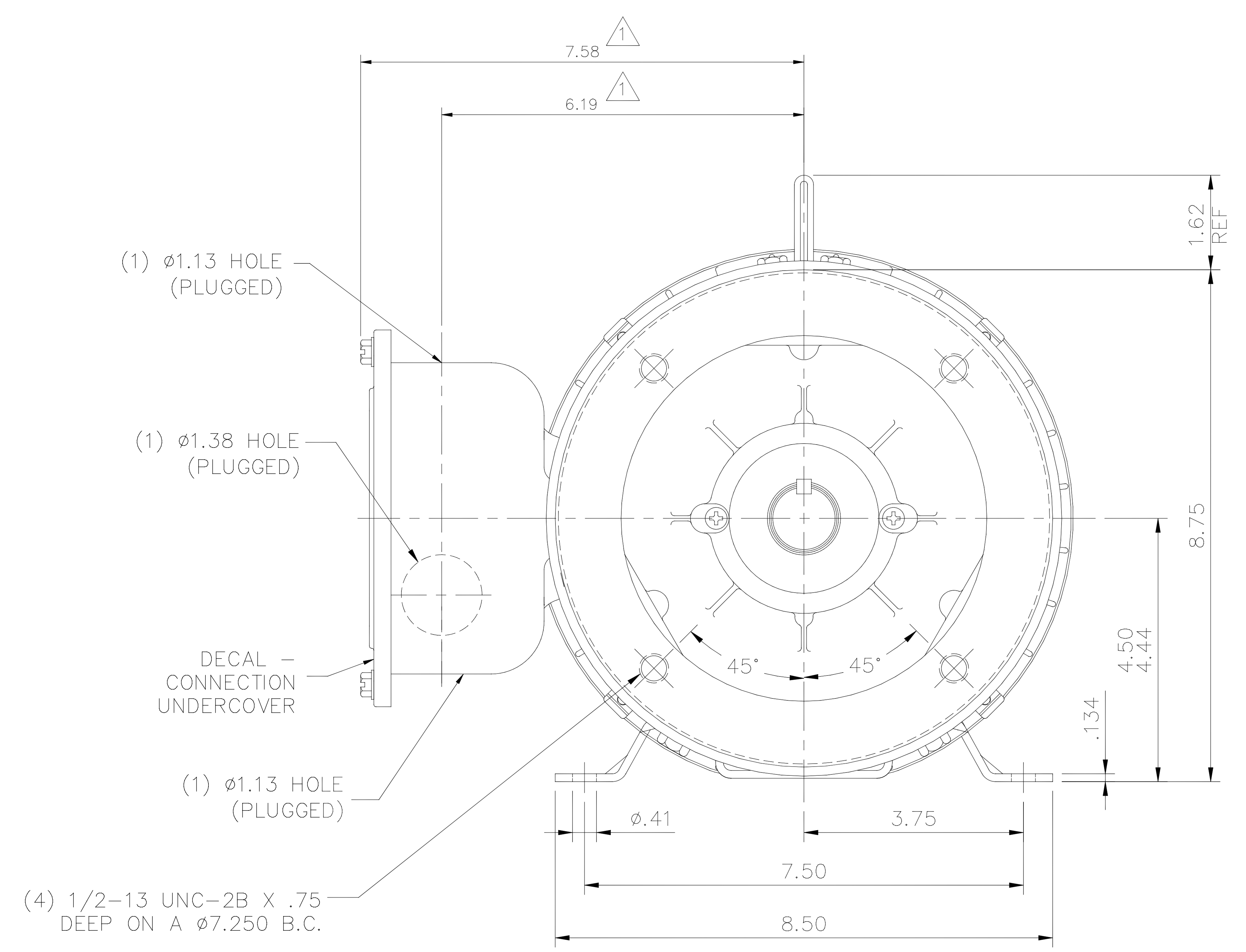
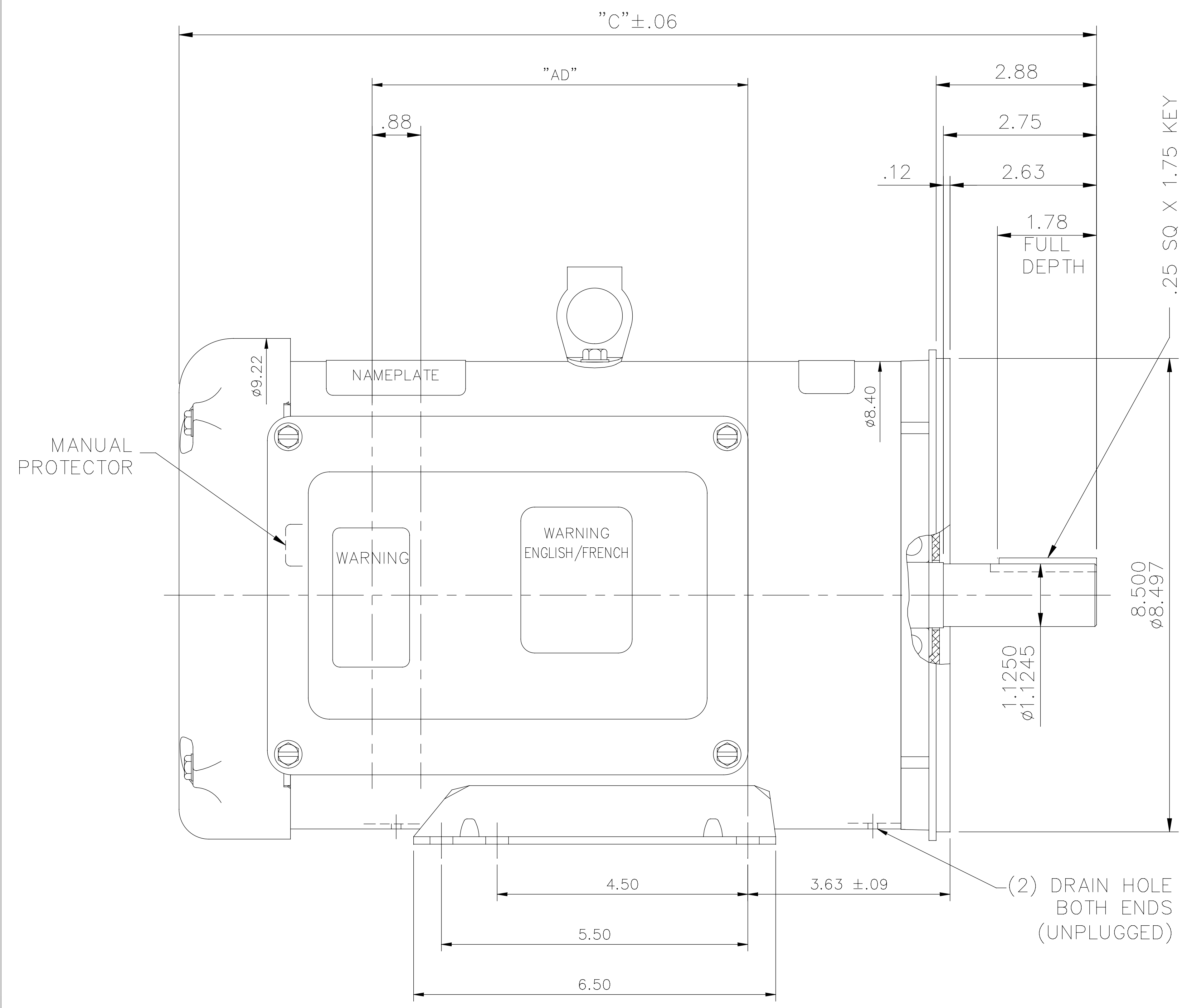
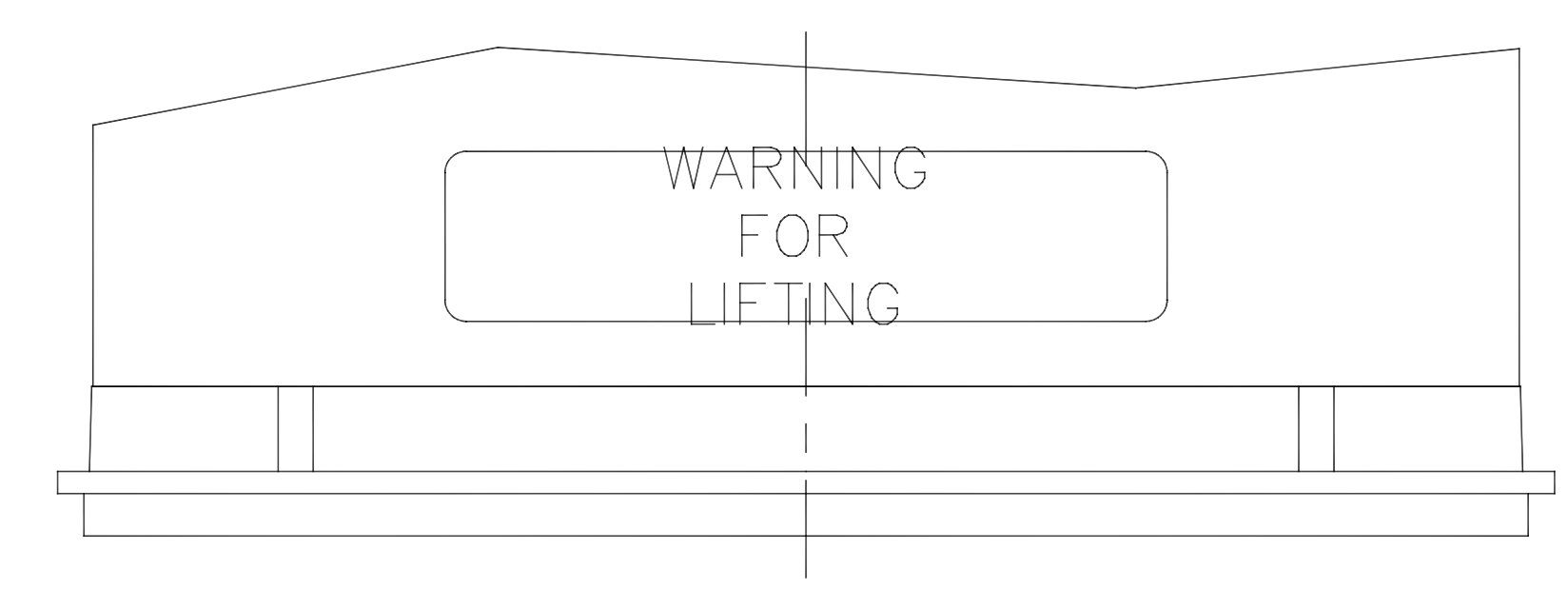


035640



GASKETS THROUGHOUT
 MAXIMUM FACE RUNOUT TO BE .004 T.I.R.
 MAXIMUM PILOT ECCENTRICITY TO BE .004 T.I.R.
 PERMISSIBLE SHAFT RUNOUT TO BE .002 T.I.R.

DASH NO.	"C"	"AD"	NO.	REVISION	BY & DATE	CHK	ANG	TOLERANCES UNLESS SPECIFIED		FINISH	DRAWN KVN 02/29/08
								DEC.	INCHES		
1100	16.47	6.75	02	DRAIN HOLES ADDED	KIR 02/08/16	SS	.XX	±.03		APPD	CHK
1150	16.97	7.25	01	DIMENSIONS ADDED	KVN 3/31/2008		.XXX	±.005		APPD	SCALE 3=8
1200	17.47	7.75					.XXX	±.0005			REF 035620 & 035637
1250	17.97	8.25						±1/2'			FMF 184TBFW7034
1300	18.47	8.75									PREV
1350	18.97	9.25									

THIS DRAWING IN DESIGN AND DETAIL IS OUR PROPERTY AND MUST NOT BE USED EXCEPT IN CONNECTION WITH OUR WORK ALL RIGHTS OF DESIGN AND INVENTION ARE RESERVED THIS IS AN ELECTRONICALLY GENERATED DOCUMENT - DO NOT SCALE THIS PRINT						RFP	CAD FILE	035640	SIZE B	DRAWING NO. 035640	REV. 02
						DIST NLV					



TITLE OUTLINE - 180TC FRAME
TEFC - RIGID "C"