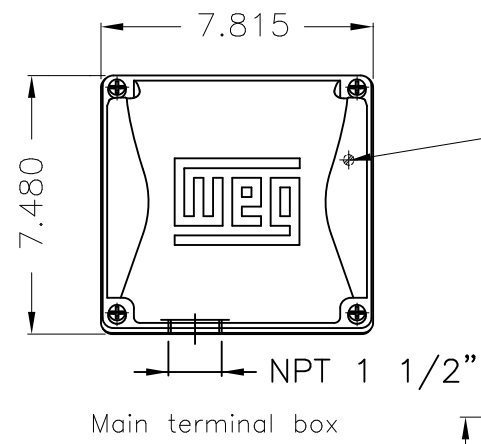
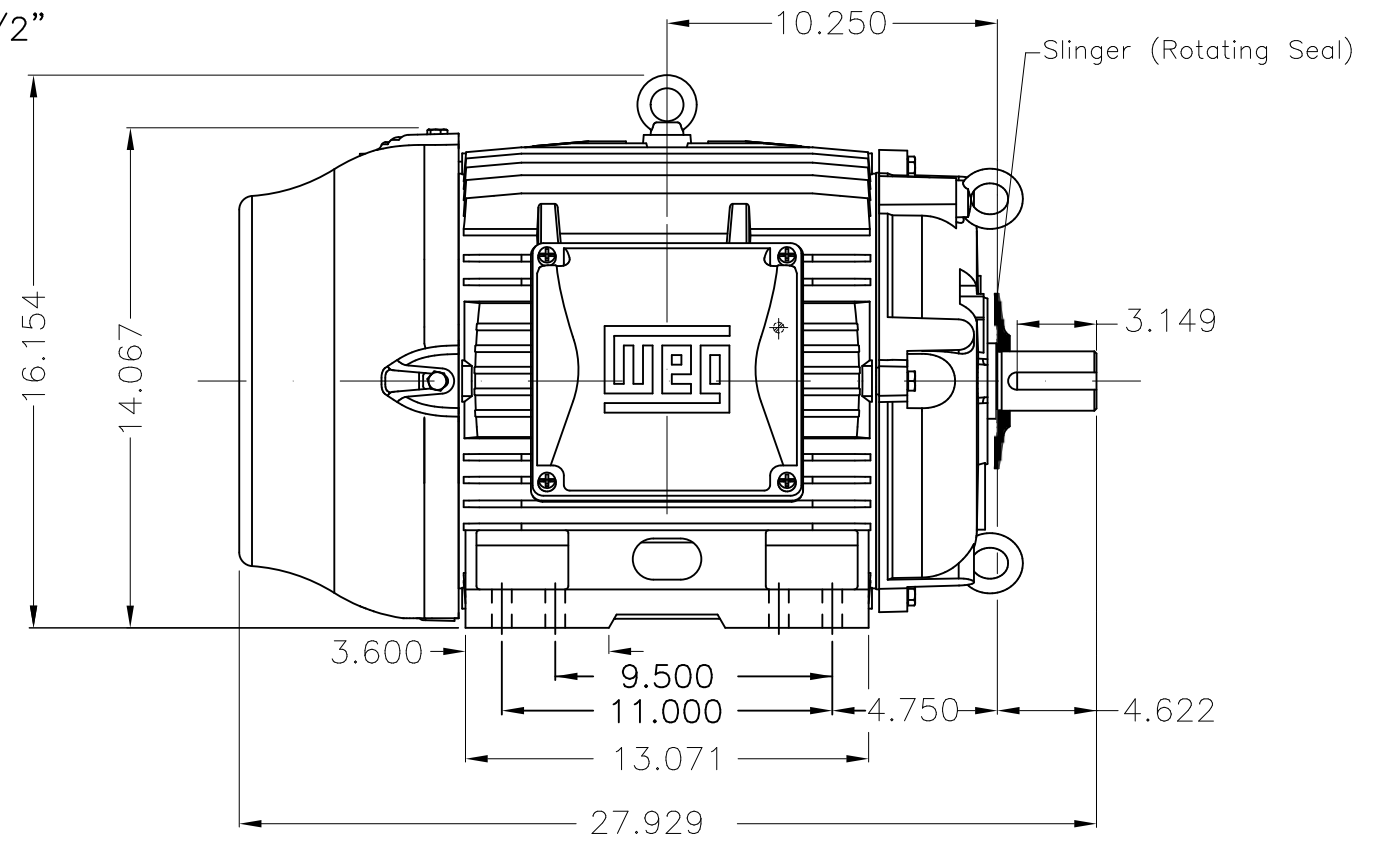
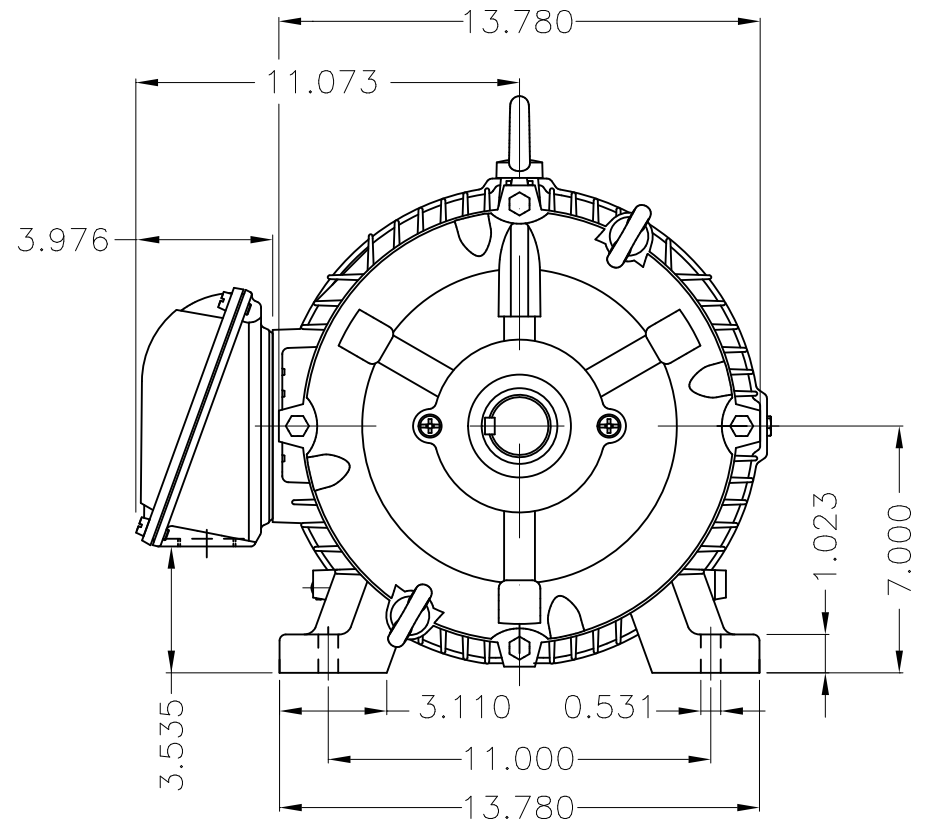


Dimensões em polegada  
Dimensions in inches

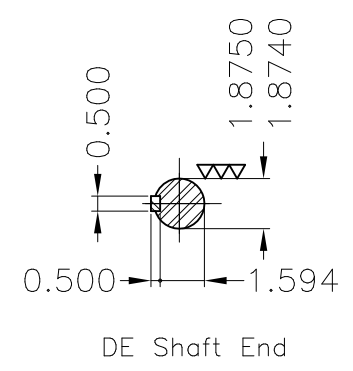
THIS IS AN UPDATED REVISION, THE  
PREVIOUS ONE MUST BE DISREGARDED.



Grounding for leads 5.2–25 mm<sup>2</sup> / 10–4 AWG



Slinger (Rotating Seal)



Color RAL 5009  
Painting plan 202E  
Mounting B3R(D)

ECM	LOC	SUMMARY OF MODIFICATIONS	EXECUTED	CHECKED	RELEASED	DATE	VER
EXECUTED	USERADMIN	THREE PH W22 MOTOR COOLING TOWER NEMA EF					
CHECKED		FRAME 284/6T IP55 TEFC					
RELEASED		WEG code: 11999355					
REL DT	24.07.2017	WMO Jaragua do Sul	Product Engineering	SHEET	1 / 1		

30 HP 04 Poles 60Hz

A

