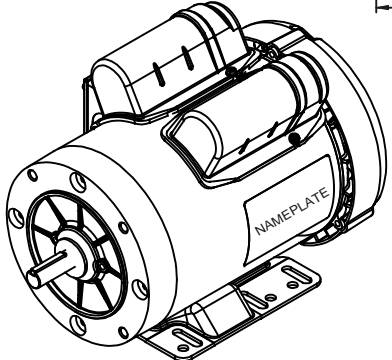
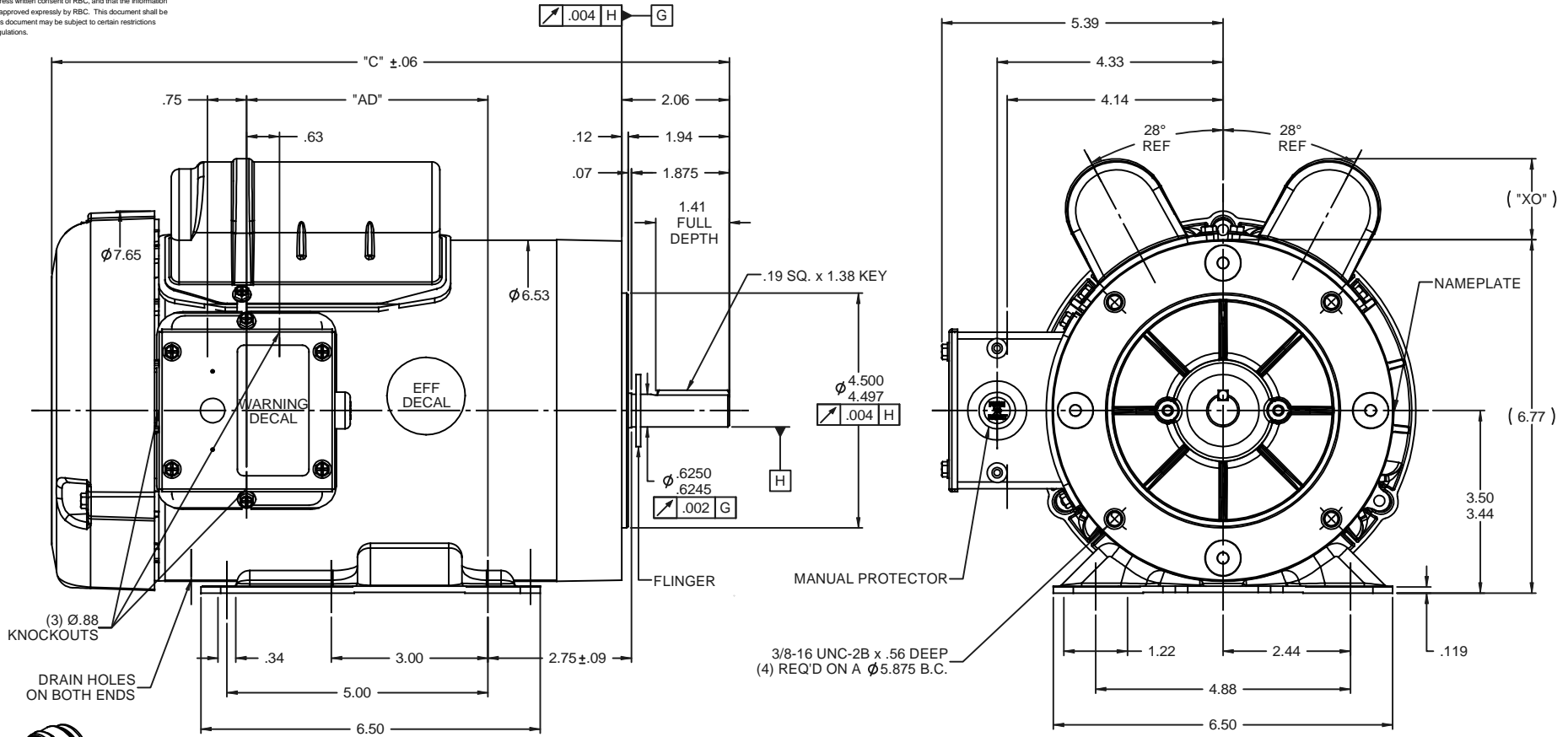


RBC PROPRIETARY AND CONFIDENTIAL INFORMATION  
 This document is the property of REGAL BELOIT CORPORATION ("RBC") including its subsidiaries and divisions and contains proprietary information of RBC. This document is loaned on the express condition that neither it nor the information contained therein shall be disclosed to others without the express written consent of RBC, and that the information shall be used by the recipient only as approved expressly by RBC. This document shall be returned to RBC upon its request. This document may be subject to certain restrictions under U.S. export control laws and regulations.



DASH NO.	"C"	"AD"	CAP. DASH	"XO"
700	12.49	4.12	A	1.06
750	12.99	4.62	B	1.51
800	13.49	5.12	C	1.73
850	13.99	5.62		

SPECIAL FEATURES:  
 1) GASKETS THROUGHOUT  
 2) MANUAL PROTECTOR  
 3) FLINGER ON SHAFT

REVISION		BY & DATE	CHK	ANG	±1/2°	FINISH	DRAWING NO		REV
THIRD ANGLE PROJECTION			RFP	12/12/08		PREV	B	028918	
TOLERANCES UNLESS SPECIFIED		DEC		INCHES					
x				±.1					
.xx				±.03		TITLE OUTLINE - 56HC FRAME			
.xxx				±.005		TEFC - RIGID "C"			
.xxxx				±.0005		MATL FARM DUTY			
NO								PAGE 1 OF 1	
DRAWN		GRB		12/12/08		CHK		DJ 12/12/08	
APPR		DJ		12/12/08		SCALE		1:2	
REF		028581		FMF		116489.00			
NETWORK FILE NAME									

