

Product Information Packet

January 13, 2017

Data shown is for the current revision model #. Ensure your nameplate model # matches.

Model Number:	5KS284SAE129A
Catalog Number:	V966
Instruction Manual:	GEK-95655
Connection Diagram:	GEM2034E-FIG9
Outline Drawing:	4002B5828PLP5210

Accessory Connection Diagrams			
Bearing Thermocouple:	None	Heater:	3027JE-1C
RTD:	None	Thermistor:	None
Thermostat:	None	Winding Thermocouple:	None
Bearing RTD:	None		

Table of Contents	
Specification	01
Performance Characteristics	02
Outline Drawing	03
Connection Drawing(s)	04



Marks:

MODEL NUMBER:	5KS284SAE129A	Estimated Weight:	460 Lbs
Outline Drawing:	4002B5828PLP5210	Time Rating:	CONT
Connection Diagram:	GEM2034E-FIG9	Enclosure:	TEFC
Instruction Book:	GEK-95655	Encl Construction:	SD
Design Code:	28BD0159A	Ambient Max(°C):	40
Type:	KS	Alt Ambient Max(°C):	--
Frame:	L284HP10	Insulation Class:	H
Phases:	3	NEMA Design:	B
Poles:	2	Nominal Efficiency:	91.7 %
Output Power:	25HP 18.5KW	Guaranteed Efficiency:	90.2
RPM:	3550	3/4 Load Efficiency:	92.5
Voltage:	230/460	KVA Code:	G
Hertz:	60	Max KVAR:	4.7
Amps - FL:	56.0/28.0	Power Factor:	91.0
Service Factor:	1.15	Bearing - DE:	6310ZC3
Alt Service Factor:	--	Bearing - ODE:	6310-2ZC3

Enclosure is Totally Enclosed Fan-Cooled

Stamped Nameplate Notes:

PREMIUM EFFICIENT MOTOR
HTR LDS HE1-HE2 115V 60W
SEVERE DUTY
INVERTER DUTY PER NEMA MG1 PART 31
ALTERNATE RATING FOR PWM CONTROL:
1.0 SF VAR TORQUE RANGE 0-60 HZ
IP 55

Additional Information:

2P - HP EXTN
C/BOX 137 CU IN-1.50 NPT
AUX LEADS EXIT WITH MOTOR LEADS
RCF 5000 CPM, STATIC DEFLECTION .0014 INCHES &
CENTER OF GRAVITY 12.00 INCHES
SOLID SHAFT NORMAL THRUST
OIL RESISTANT SLEEVING ON LEADS
BEARING LIFE 8760 HOURS AT 783 LB THRUST
SLINGER ON BOTH ENDS AND BRASS T DRAIN



Performance Characteristics

1st Winding 1st Connection

Design: 28BD0159A

Marks:

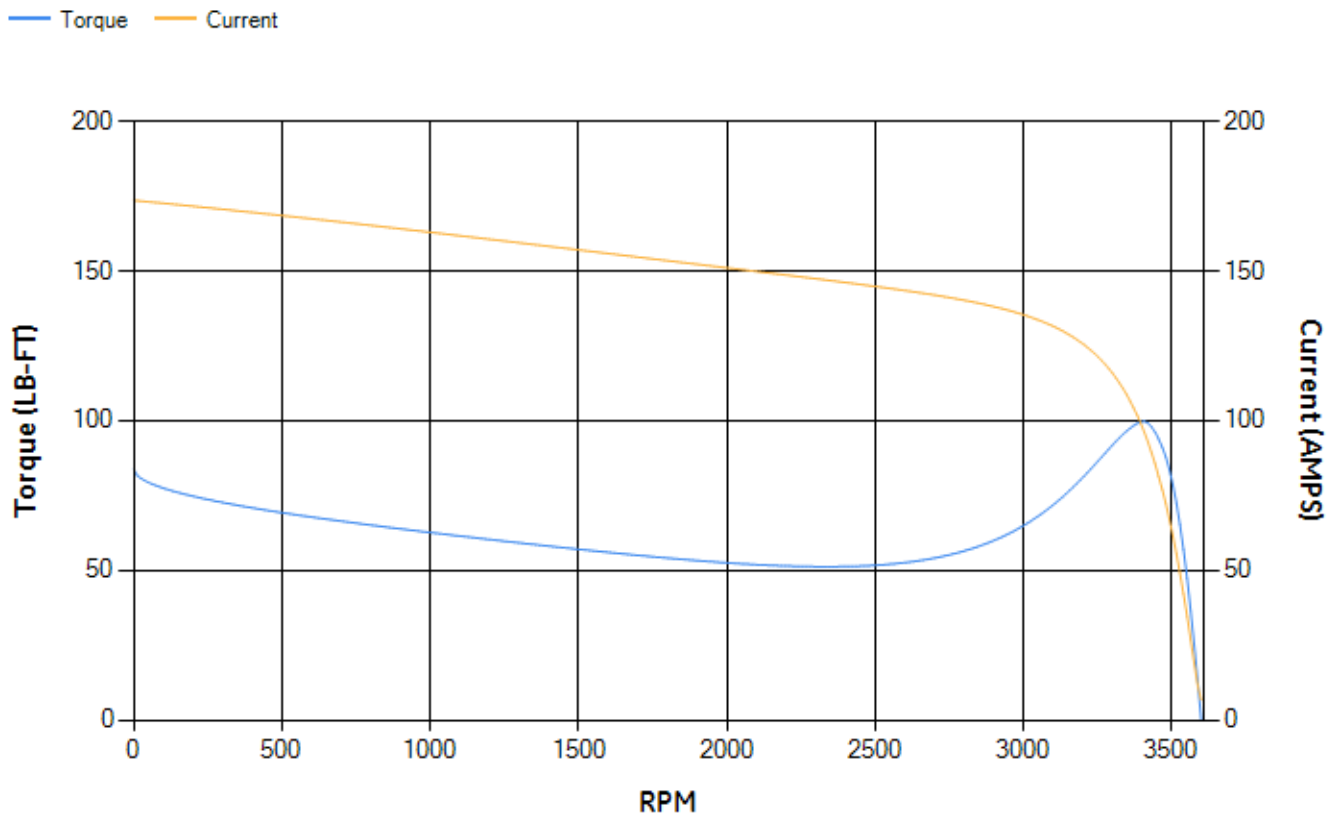
LOAD %	125.0	115.0	100.0	75.0	50.0	25.0	0.0
% EFF	90.58	91.12	92	92.55	92.44	89.45	0.00
% PF	90.9	91.04	90.96	89.6	84.9	68.38	8.73
AMPS	35.52	32.44	27.96	21.16	14.91	9.56	6.61

TORQ(FL)#FT	36.99	TORQ(LR)%FL	226.67	TORQ(BD)%FL	268.66
AMPS(LR)	173.6	PF AT START	0.39		

This motor is capable of two cold or one hot start with a maximum connected load inertia of 79 Lb-Ft Sq (3.33 Kg-meter Sq) at 100% voltage, where the load torque varies with the square of the speed. Acceleration time with maximum inertia and the above load type is 18 seconds. Safe stall time at 100% voltage is 40 seconds cold, 22 seconds hot. Rotor inertia is 2.13 Lb-Ft Sq (0.09 Kg-meter Sq).

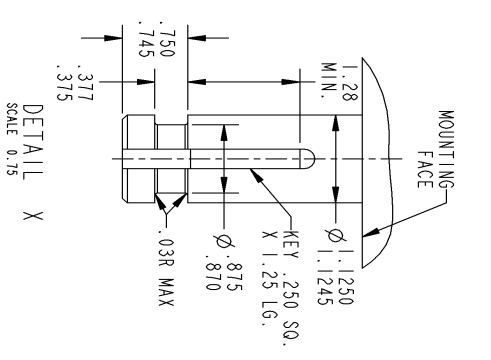
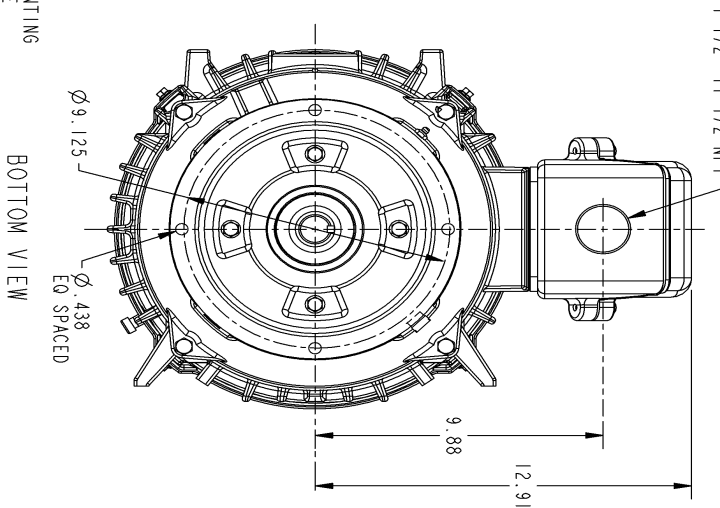
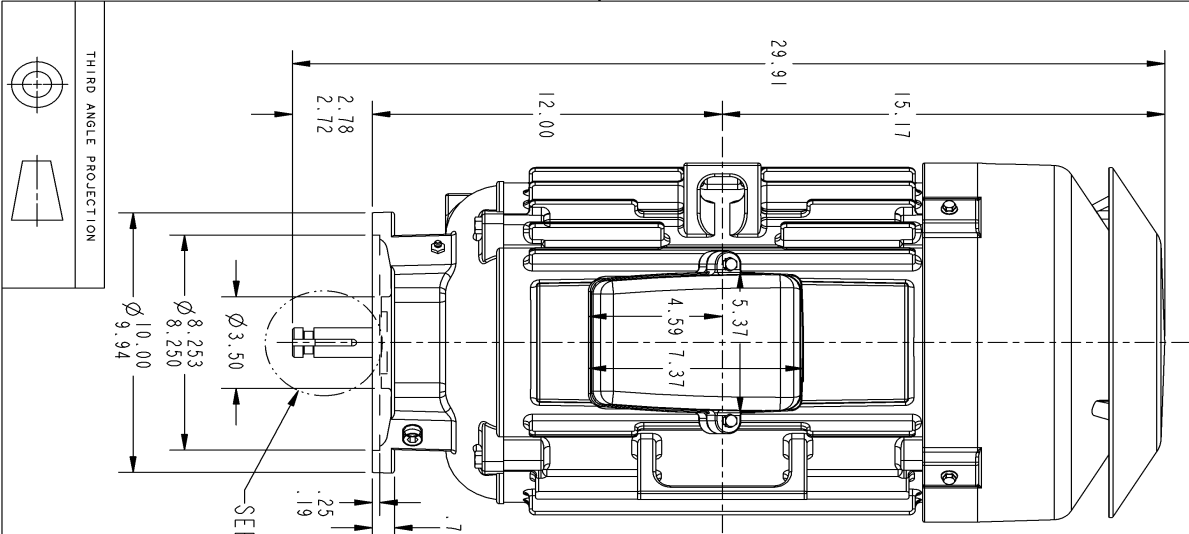
Open Circuit A-C:	0.798	Short Circuit D-C:	0.013
Short Circuit A-C:	0.027	X/R Ratio:	4.793
Stator Slots:	48	Rotor Slots:	38

Speed Torque Current Curve (First Connection, First Speed)



NAME:320002939 OBJECT:4002B5828PLP5210 DATE:24-Sep-09 19:53:07

Marks:



SIZE DRAWING NO. 4002B5828PLP5210

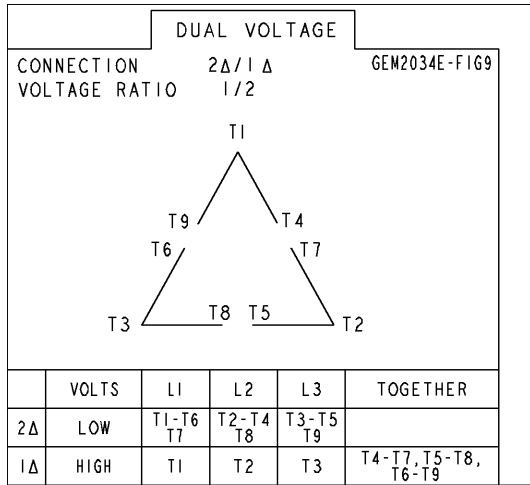
REV.	DESCRIPTION	DATE	APPROVED
1	ISAAC 09-0114	09/24/09	DAN

NOTE 1 : CONDUIT BOX MAY BE ASSEMBLED WITH ENTRANCE UP, DOWN OR TO EITHER SIDE.

SIGNATURES	DATE	GE Logo	GENERAL ELECTRIC COMPANY
DRAWN GARY WARDNER	JAN 02/02	Systems	Fort Wayne, Indiana
CHECKED GARY WARDNER	FEB 20/02		
ISSUED GARY WARDNER	MAY 03/02		
APPLIED PRACTICES			
INDUCTION MOTOR OUTLINE		INDUCTION MOTOR OUTLINE SOLID SHAFT - NORMAL THRUST FMP: FRL280HP STANDARD 4P TEFC XSD ULTRA 4002B5828PLP5210 REV. 1	
SCALE: 0.250 REF. NO: 4002B5828PLP210 SHEET 1 OF 1			
DISTRIBUTION: PMP-18K15			

Marks:

Connection Diagram
GEM2034E-FIG9



Heater Connection
3027JE-1C

