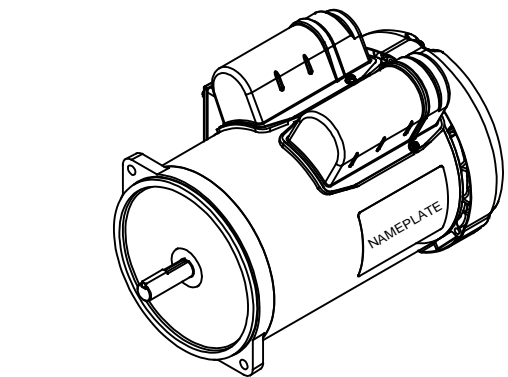
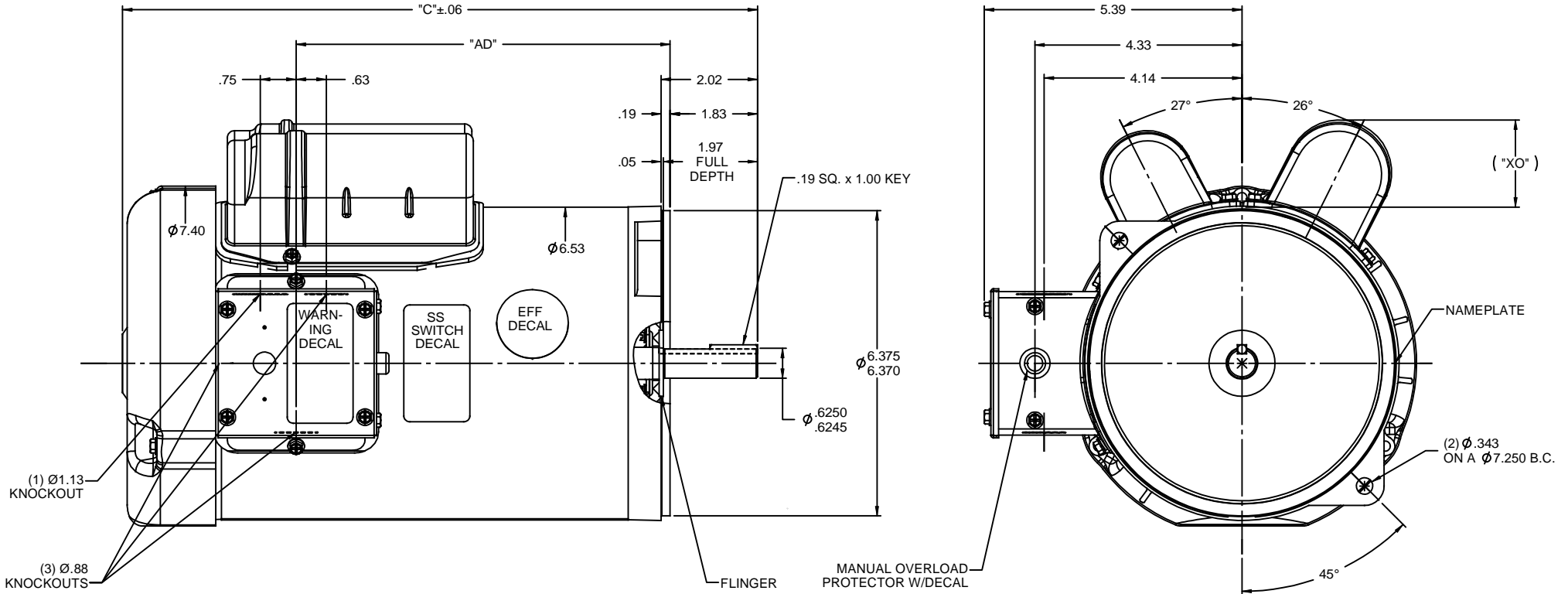


RBC PROPRIETARY AND CONFIDENTIAL INFORMATION
 This document is the property of REGAL BELOIT CORPORATION ("RBC") including its subsidiaries and divisions and contains proprietary information of RBC. This document is loaned on the express condition that neither it nor the information contained therein shall be disclosed to others without the express written consent of RBC, and that the information shall be used by the recipient only as approved expressly by RBC. This document shall be returned to RBC upon its request. This document may be subject to certain restrictions under U.S. export control laws and regulations.



DASH NO.	"C"	"AD"	CAP DASH	"XO"
700	11.77	6.31	A	1.15
750	12.27	6.81	B	1.60
800	12.77	7.31	C	1.82
850	13.27	7.81		

NOTE:
 1) GASKETS THROUGHOUT

TOLERANCES UNLESS SPECIFIED		DEC INCHES		TITLE	ELECTRIC MOTORS GEARMOTORS AND DRIVES	DRAWN JJK 03/28/08
x	±.1					
xx	±.03			TEFC - OIL BURNER FLANGE		APPR
xxx	±.005					SCALE 1:2
01	ADDED ISOMETRIC VIEW AS PER ISAAC #08-3884	GRB 9/8/2008	VS	xxxxx ±.0005	MATL	REF 028832
NO	REVISION	BY & DATE	CHK	ANG ±1/2°	FINISH	FMF
	THIRD ANGLE PROJECTION		RFP		PREV	PAGE 1 OF 1
				NETWORK FILE NAME		REV 01
					SIZE B	DRAWING NO 028817