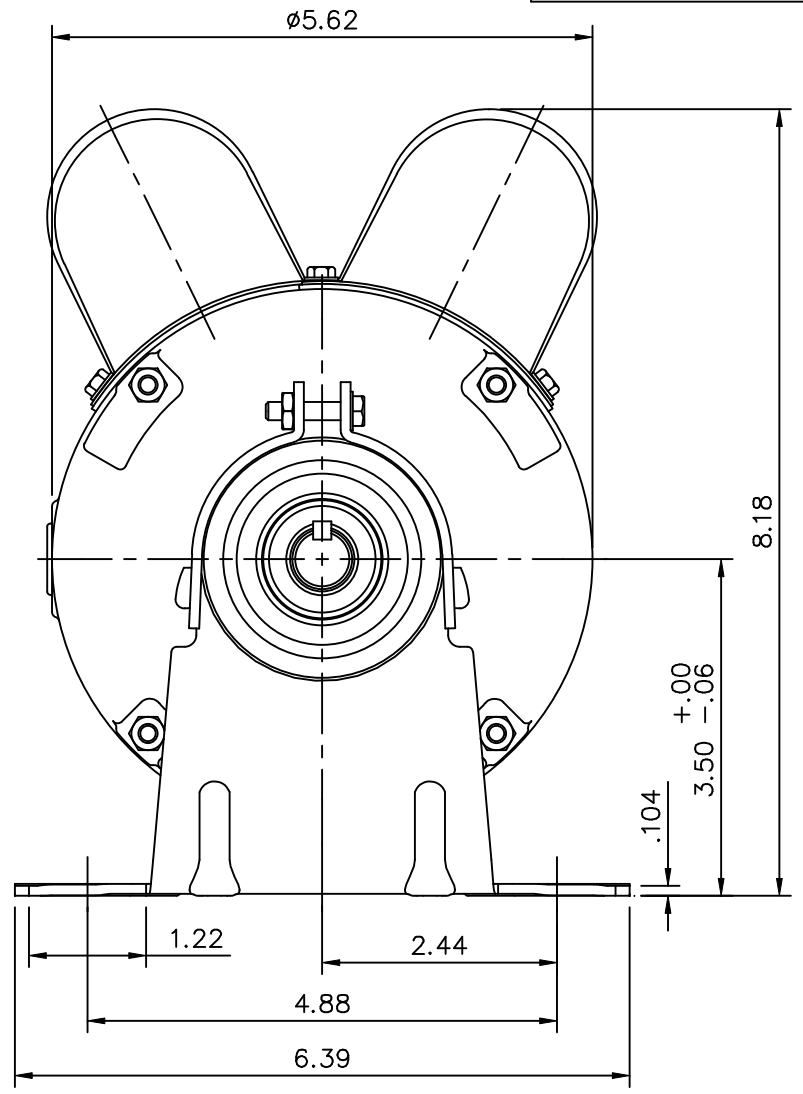
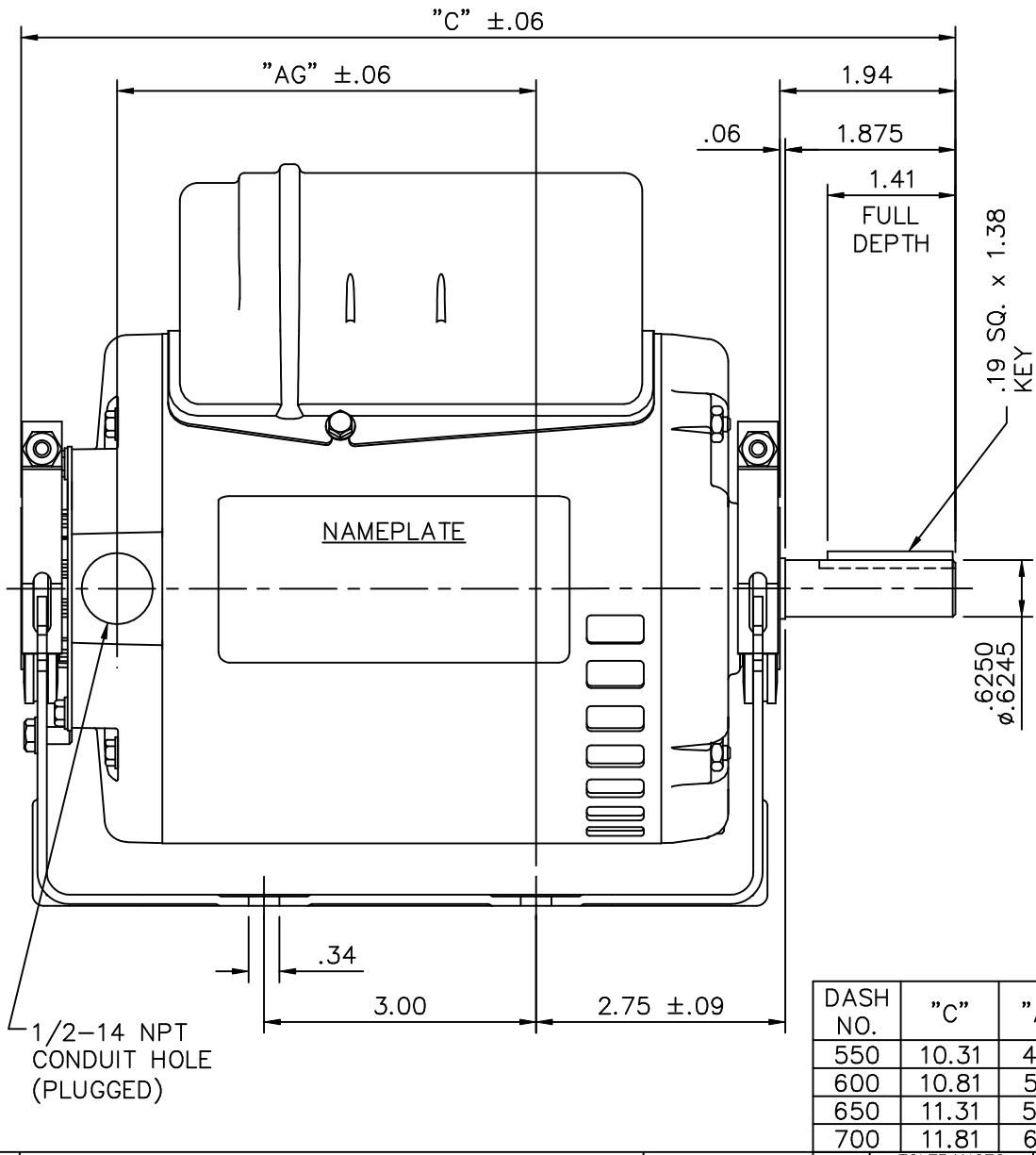


031736



DASH NO.	"C"	"AD"
550	10.31	4.62
600	10.81	5.12
650	11.31	5.62
700	11.81	6.12

1/2-14 NPT
CONDUIT HOLE
(PLUGGED)

NAMEPLATE

TOLERANCES UNLESS SPECIFIED	
DEC.	INCHES
.X	±.1
.XX	±.03
.XXX	±.005
.XXXX	±.0005
ANG	±1/2°



ELECTRIC MOTORS
GEARMOTORS
AND DRIVES

DRAWN	PG 5/23/03
CHK	
APPD	
SCALE	1=2
REF	030113
FMF	100802.00
PREV	

TITLE
OUTLINE - S56 FRAME
DRIP PROOF - RESILIENT MOUNT

MAT'L.
1 PHASE

FINISH

NO.	REVISION	BY & DATE	CHK	ANG

THIS DRAWING IN DESIGN AND DETAIL IS OUR PROPERTY AND MUST NOT BE USED EXCEPT IN CONNECTION WITH OUR WORK ALL RIGHTS OF DESIGN AND INVENTION ARE RESERVED THIS IS AN ELECTRONICALLY GENERATED DOCUMENT - DO NOT SCALE THIS PRINT

RFP	CAD FILE	031736	SIZE	DRAWING NO.	REV.
DIST			A	031736	

ERROR: syntaxerror
OFFENDING COMMAND: --nostringval--

STACK:

/terminate
-dictionary-
/Pscript_WinNT_Compat
-dictionary-