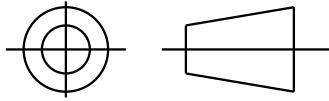


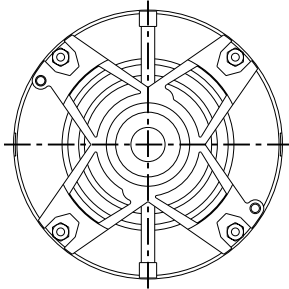
SHEET 1
REV 4
52A106961

THIRD ANGLE PROJECTION

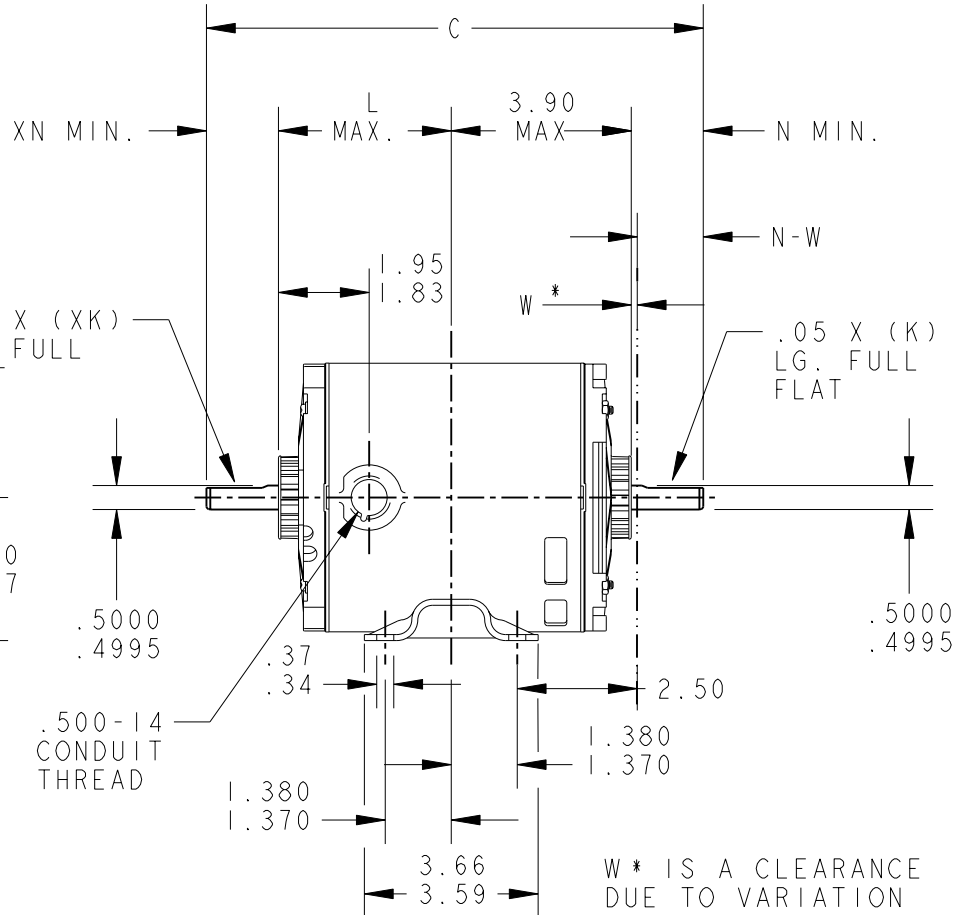
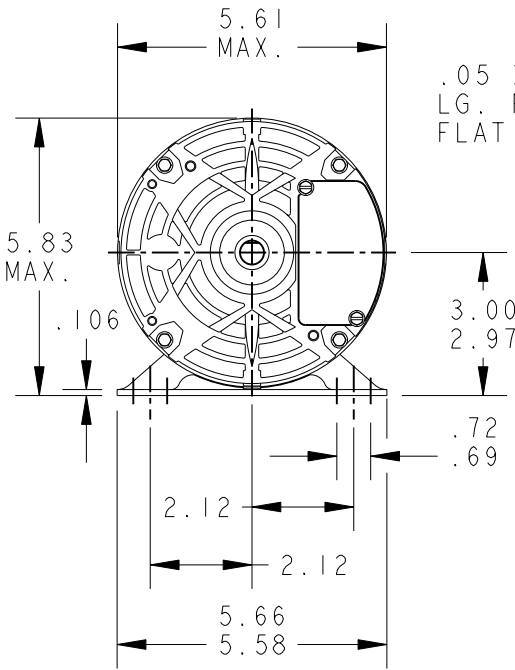


REVISIONS

REV.	DESCRIPTION	DATE	APPROVED
2	REDRAWN WITHOUT CHANGE	04/30/92	BLJ
3	REDRAWN BY 2M SOFTWARE CO.	03/04/95	CCP
4	CHG TO RBC FORMAT PER ISO5-1777	02/15/06	SUDHA




VIEW SHOWING P.E. VENTILATION OPENINGS



W* IS A CLEARANCE DUE TO VARIATION IN PARTS AND ASSEMBLY.

I	KH	32	48Z	10.36/10.34	1.16	3.59	1.50	1.63/1.41	1.16	1.50
P	TYPE	GE SIZE	NEMA FR	C	K	L	N	N-W	XK	XN

FOR ADDITIONAL INFO REFER TO: APPLIED PRACTICES DIMENSIONS ARE IN INCHES ✓ MATERIAL	SIGNATURES		DATE	 <p>REGAL-BELOIT CORPORATION</p> <p>TITLE OUTLINE</p> <p>FORM N - SPECIAL PURPOSE MOTOR - DRIP PROOF - WELDED BASE - BALL OR SLEEVE BEARING FMF: 5KH39QN9547A</p>
	MODEL	M.A.M.	06/15/89	
	DETAIL	.	.	
	CHECKED	.	.	
	ENGRG	.	.	
ISSUED	C.C.P.	03/04/95	<p>SIZE DRAWING A</p> <p>SCALE: 0.250 REF. No: .</p>	
SOLID MODEL: 52A106961			<p>52A106961</p>	<p>REV 4</p> <p>SHEET 1 of 1</p>