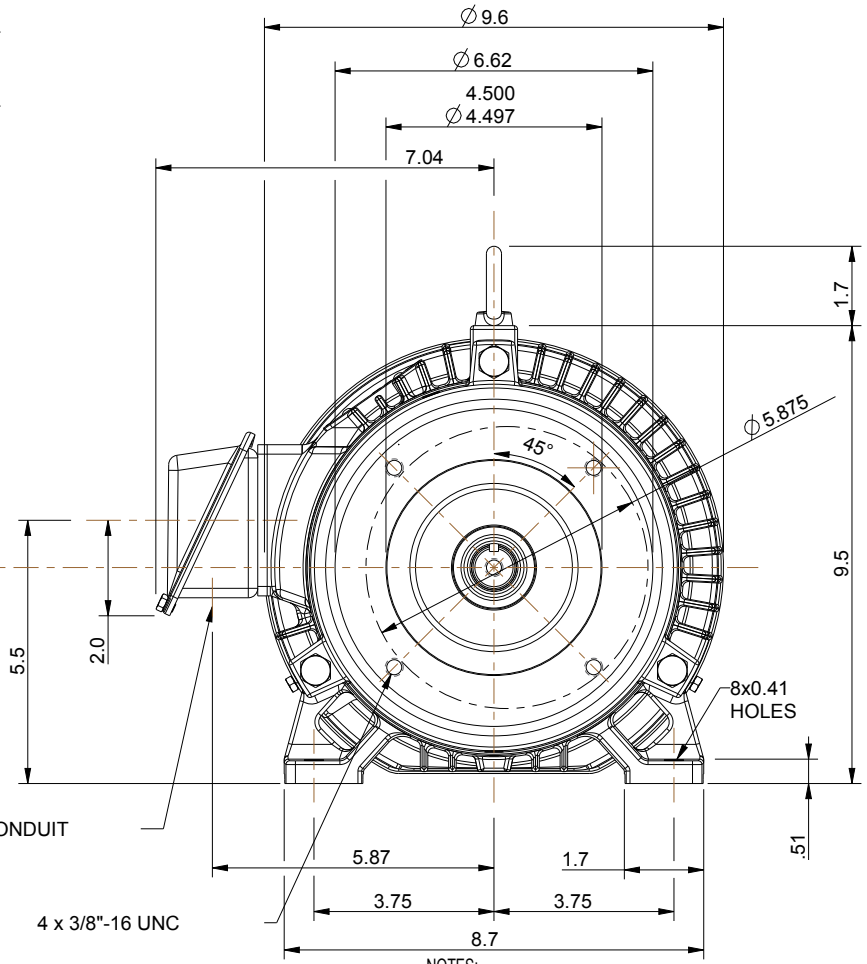
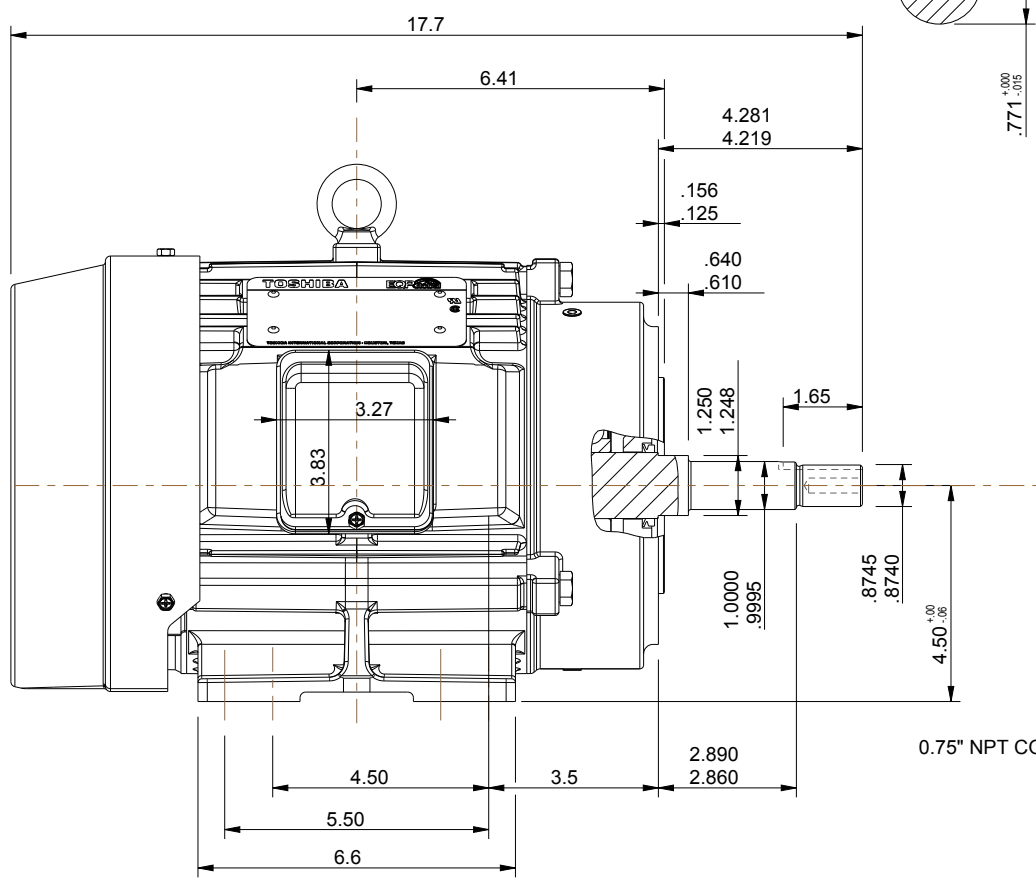
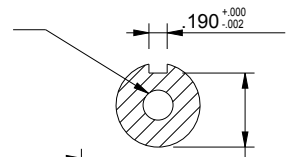


TAP 3/8" - 16 UNC
1.12" DEEP MAX.



NOTES:
 1. MAIN CONDUIT BOX MAY BE ROTATED IN 90° INCREMENTS
 2. STANDARD PRODUCT USE BI-DIRECTIONAL FAN. OPPOSITE ROTATION AVAILABLE ONLY BY CONNECTION CHANGE.
 3. KEY DIMENSIONS EQUAL (MOTOR SUPPLIED WITH KEY)

0.188" x 0.188" x 1.65"

UNITS: INCHES

TOSHIBA RESERVES THE RIGHT TO MAKE CHANGES OF TECHNICAL IMPROVEMENT WITHOUT NOTICE. DO NOT USE FOR CONSTRUCTION, INSTALLATION, OR APPLICATION PURPOSES UNLESS THE DRAWING IS CERTIFIED.

**180JM TEFC FRAME
F1 ASSEMBLY**

MDSL108-02

TOSHIBA

TOSHIBA INTERNATIONAL CORPORATION

TOLERANCES

.X	.1
.XX	.03
.XXX	.005
.XXXX	.0005

MAXIMUM MOTOR WEIGHT

97 lbs.
44 kgs.

1	CHANGE T-BOX ASSEMBLY	M. O'DOWD	12/18/13	J. RUSSELL
0	FIRST ISSUE	M. O'DOWD	12/6/13	J. RUSSELL
NO	REVISION	DRAWN BY	DATE	CHECK



DRAWN BY: M. O'DOWD
 CHECK BY: J. RUSSELL
 APPROVED BY: _____
 www.toshiba.com/ind