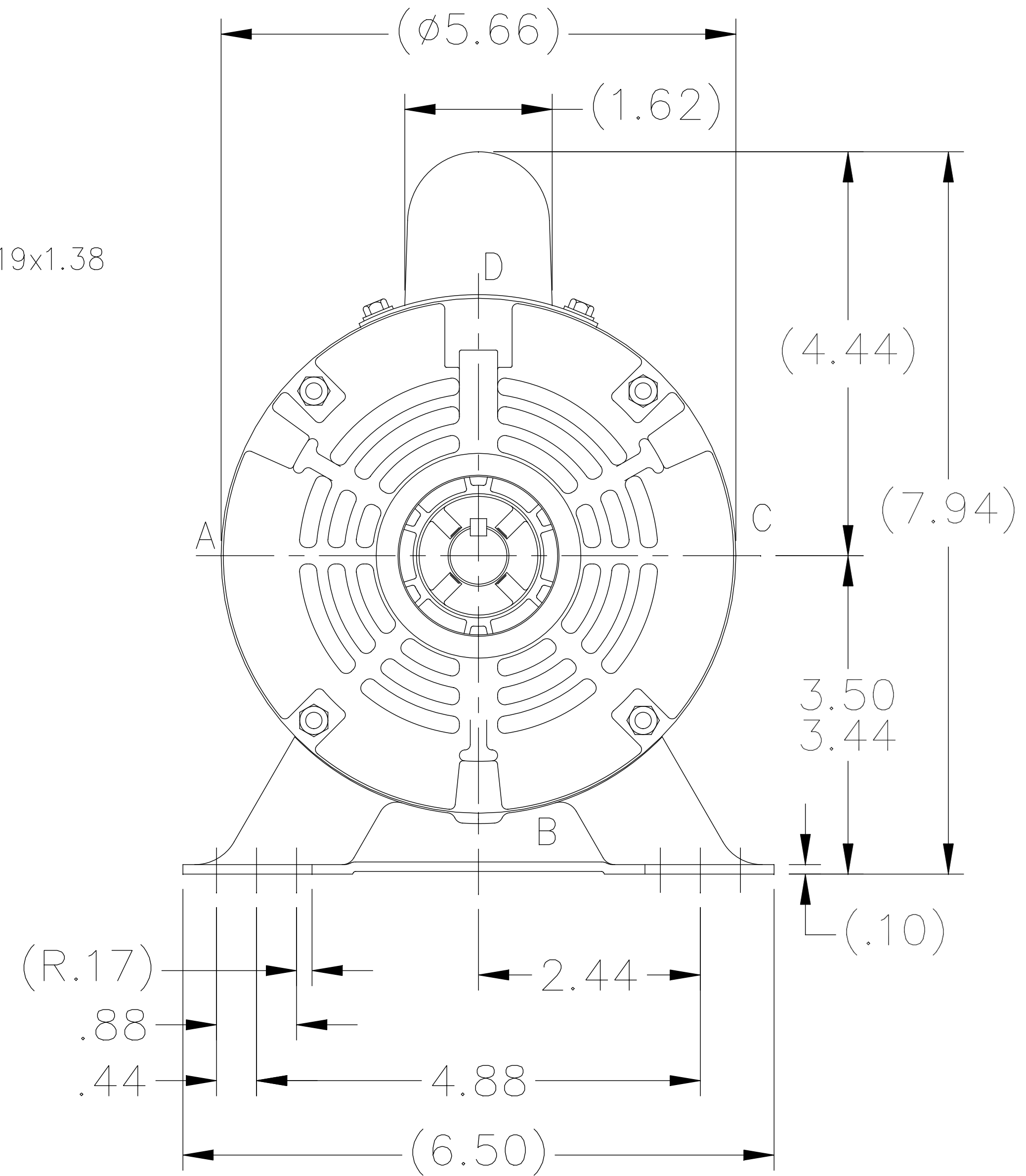
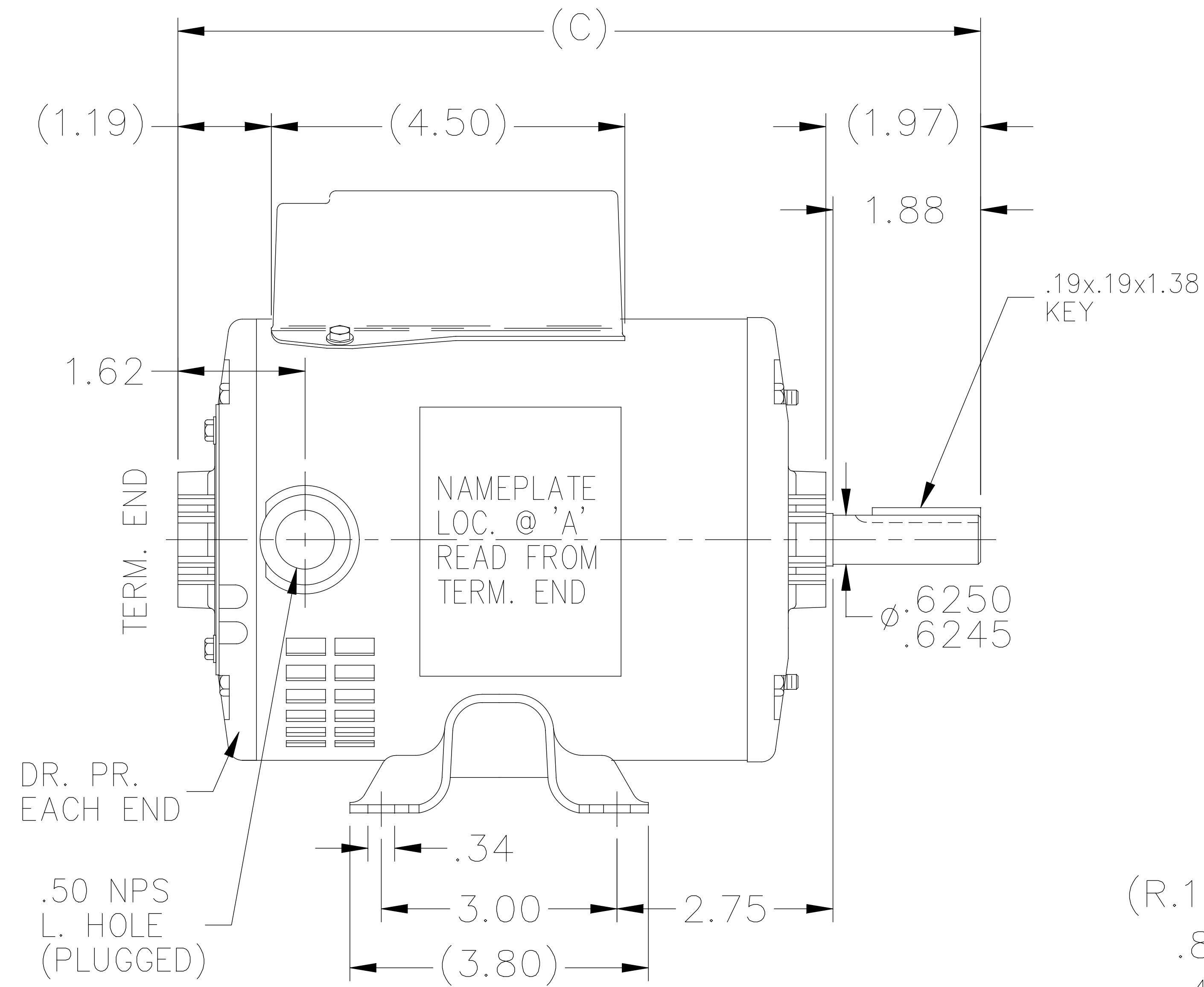


SS79614



DASH	C
625	10.22
650	10.47
725	11.22

NO.	REVISION	BY & DATE	CHK	TOLERANCES UNLESS SPECIFIED		MARATHON ELECTRIC	DRAWN MRB 3/10/1998		
				DEC.	INCHES			SCALE 3=8	
				.X	±.1	TITLE OUTLINE	CHK ML 4/1/1998		
7	REMOVED FRAME SIZE COLUMN IN TABLE	AP 11/9/16		.XX	±.03		APPD GK 4/1/1998		
6	UPDATED DRAWING	TJW 05/11/2007		.XXX	±.005	MAT'L.	REF		
5	REDRAWN ON CADD - NO CHANGE	MRB 4/1/1998		.XXXX	±.0005		FMF		
				ANG	±7'30"	FINISH	PREV		
THIS DRAWING IN DESIGN AND DETAIL IS OUR PROPERTY AND MUST NOT BE USED EXCEPT IN CONNECTION WITH OUR WORK ALL RIGHTS OF DESIGN AND INVENTION ARE RESERVED THIS IS AN ELECTRONICALLY GENERATED DOCUMENT - DO NOT SCALE THIS PRINT				RFP	CAD FILE SS79614		SIZE A	DRAWING NO. PAGE 1 OF 1	REV. 7
				DIST WP			SS79614		