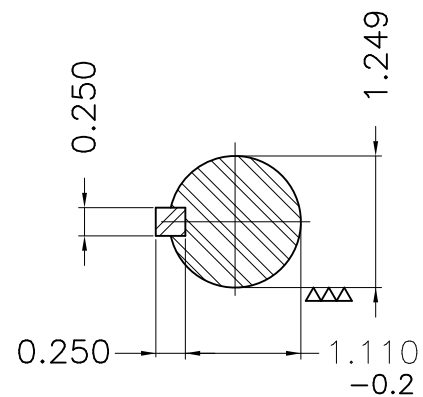
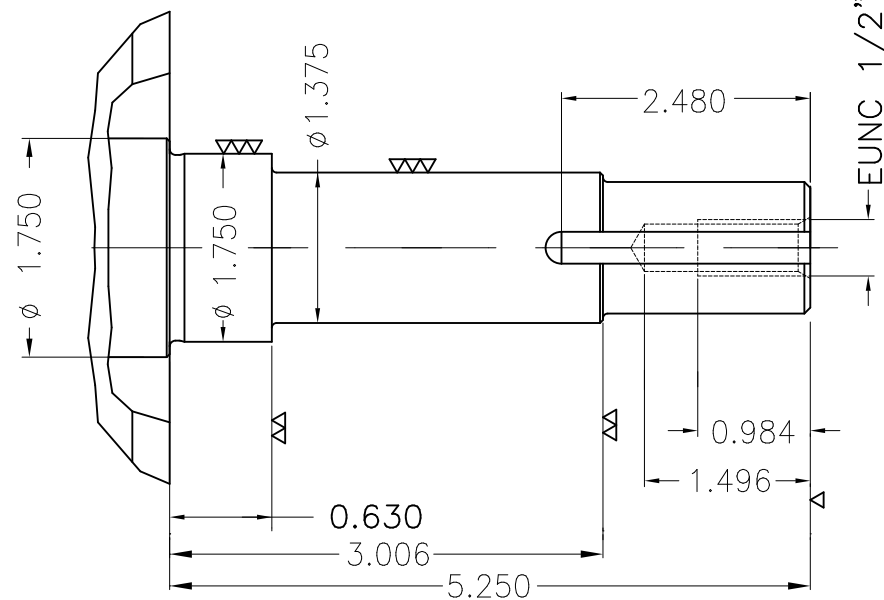
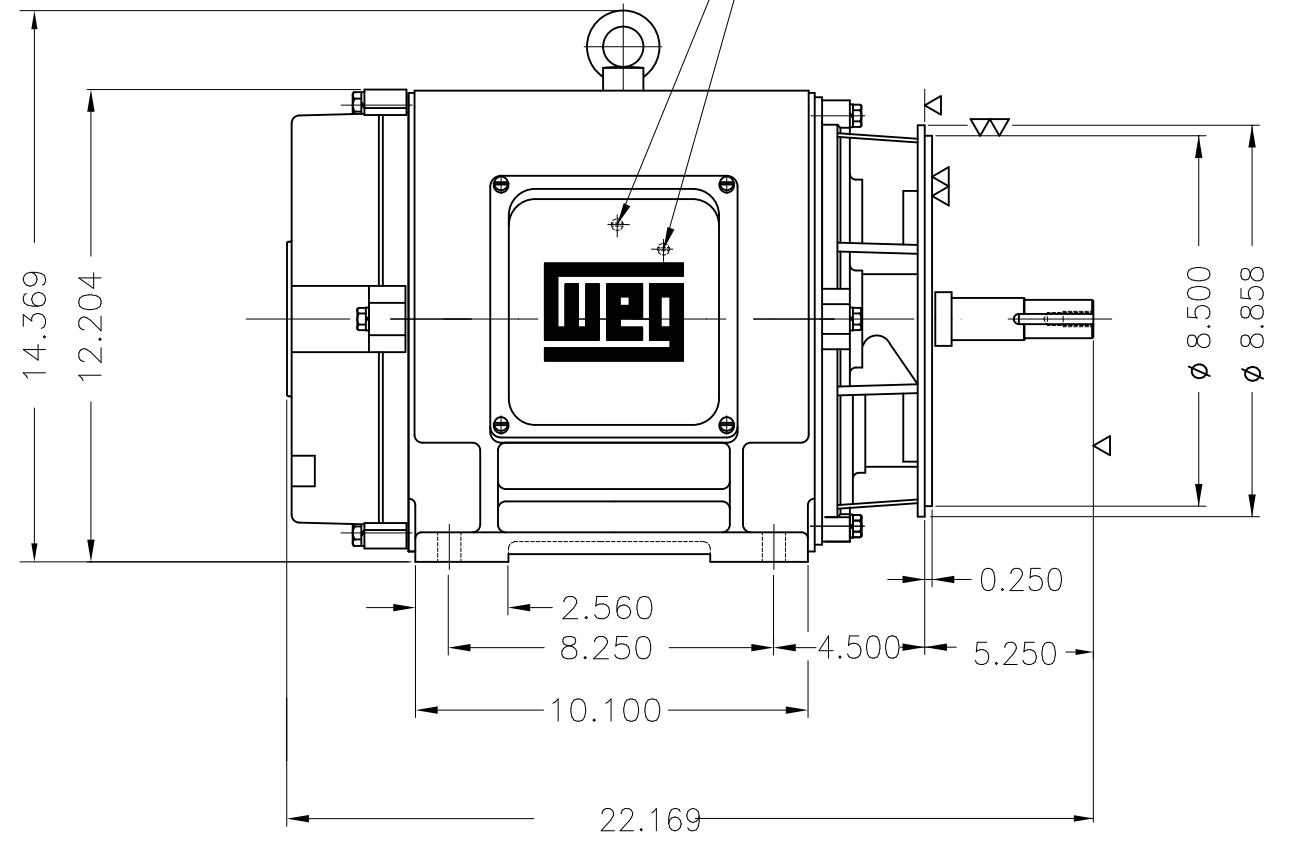
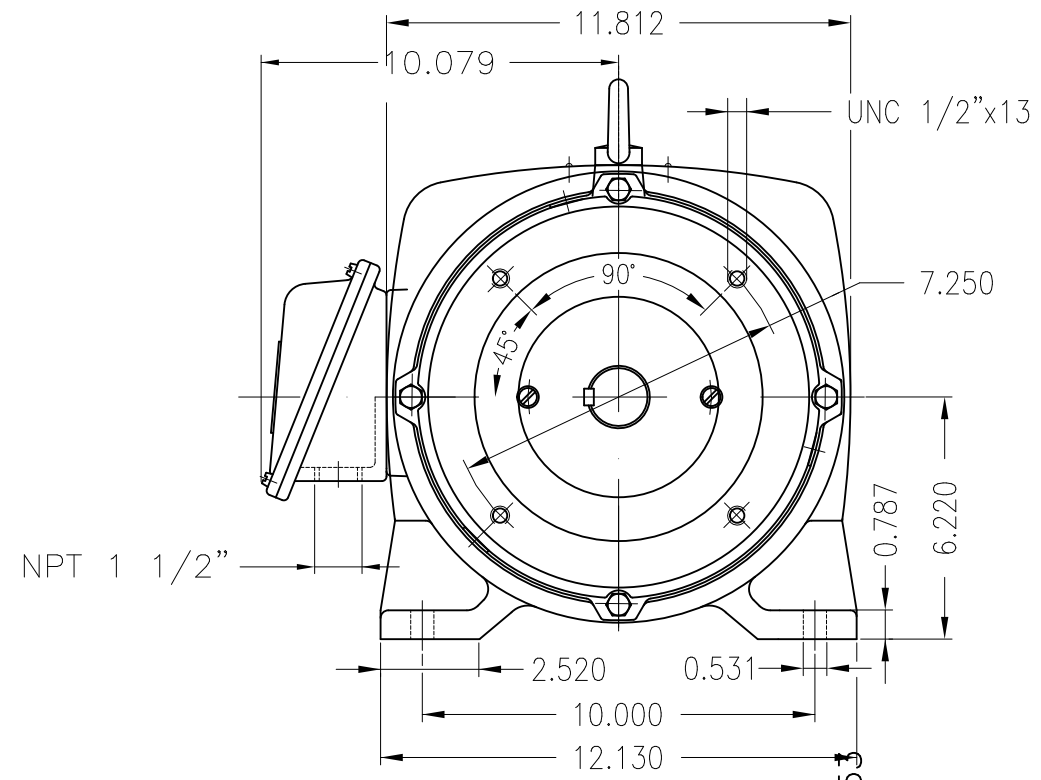


Dimensões em polegada
Dimensions in inches

THIS IS AN UPDATED REVISION, THE
PREVIOUS ONE MUST BE DISREGARDED.

Grounding for leads 5.2–25 mm² / 10–4 AWG



EUNUC 1/2"-13 WEG TBG253

Color RAL 5009
Painting plan 203A
Mounting B34R(D)

| ECM | LOC | SUMMARY OF MODIFICATIONS | EXECUTED | CHECKED | RELEASED | DATE | VER |
|----------|------------|--------------------------------|---------------------|---------|----------|------|-----|
| EXECUTED | USERADMIN | THREE PHASE PREMIUM EFFICIENCY | | | | | |
| CHECKED | | FRAME 254JM IP23 ODP | | | | | |
| RELEASED | | WEG code: 11080333 | | | | | |
| REL DT | 24.07.2017 | WMO Jaragua do Sul | Product Engineering | SHEET | 1 / 1 | | |

20 HP 02 Poles 60Hz

